

# Quick Guide

Transmitters for HVAC applications

**Origo10**



**VAISALA**

PUBLISHED BY

Vaisala Oyj  
Vanha Nurmijärventie 21, FI-01670 Vantaa, Finland  
P.O. Box 26, FI-00421 Helsinki, Finland  
+358 9 8949 1  
[vaisala.com](https://vaisala.com)  
[docs.vaisala.com](https://docs.vaisala.com)

© Vaisala 2026

No part of this document may be reproduced, published, or publicly displayed in any form or by any means, electronic or mechanical (including photocopying), nor may its contents be modified, translated, adapted, sold, or disclosed to a third party without prior written permission of the copyright holder. Translated document and translated portions of the document are based on the original English version. Parts of the translation may have been created using machine-assisted translation. In ambiguous cases, the English version is applicable, not the translation.

The contents of this document are subject to change without prior notice.

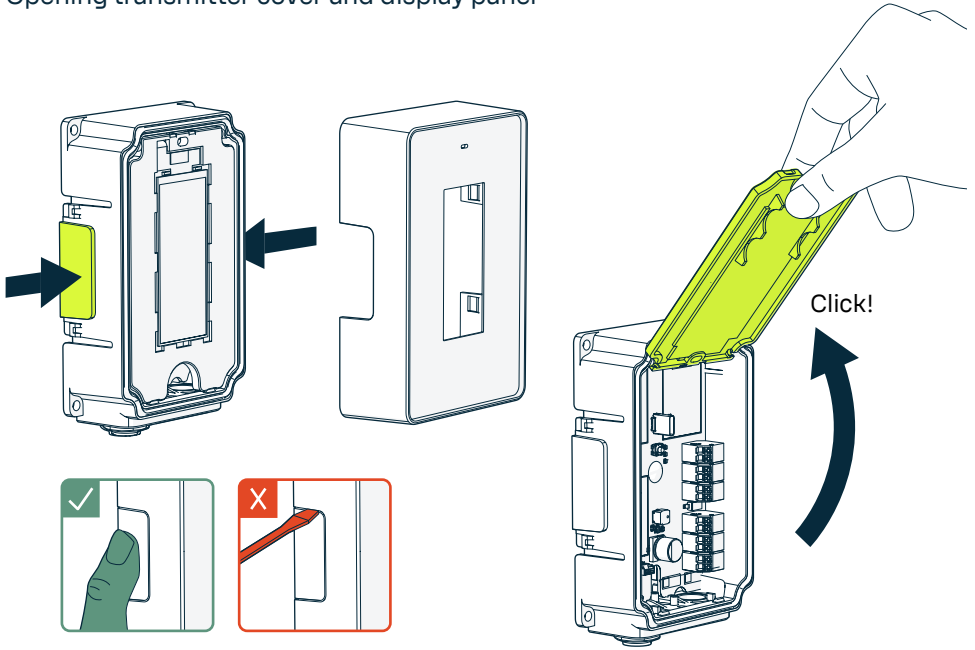
Local rules and regulations applicable to the products and services may vary, and they shall take precedence over the information contained in this document. Vaisala makes no representations on this document's compliance with the local rules and regulations applicable at any given time, and hereby disclaims any and all responsibilities related thereto. You are instructed to confirm the applicability of the local rules and regulations and their effect on the intended use of the products and services.

This document does not create any legally binding obligations for Vaisala towards customers or end users. All legally binding obligations are set forth exclusively in the applicable contract or in the relevant set of General Conditions of Vaisala ([vaisala.com/policies](https://vaisala.com/policies)).

This product contains software developed by Vaisala or third parties. Use of the software is governed by license terms and conditions included in the applicable contract or, in the absence of separate license terms and conditions, by the General License Conditions of Vaisala Group.

This product may contain open-source software (OSS) components. In the event this product contains OSS components, then such OSS is governed by the terms and conditions of the applicable OSS licenses, and you are bound by the terms and conditions of such licenses in connection with your use and distribution of the OSS in this product. Applicable OSS licenses are included in the product itself or provided to you on any other applicable media, depending on each individual product and the product items delivered to you.

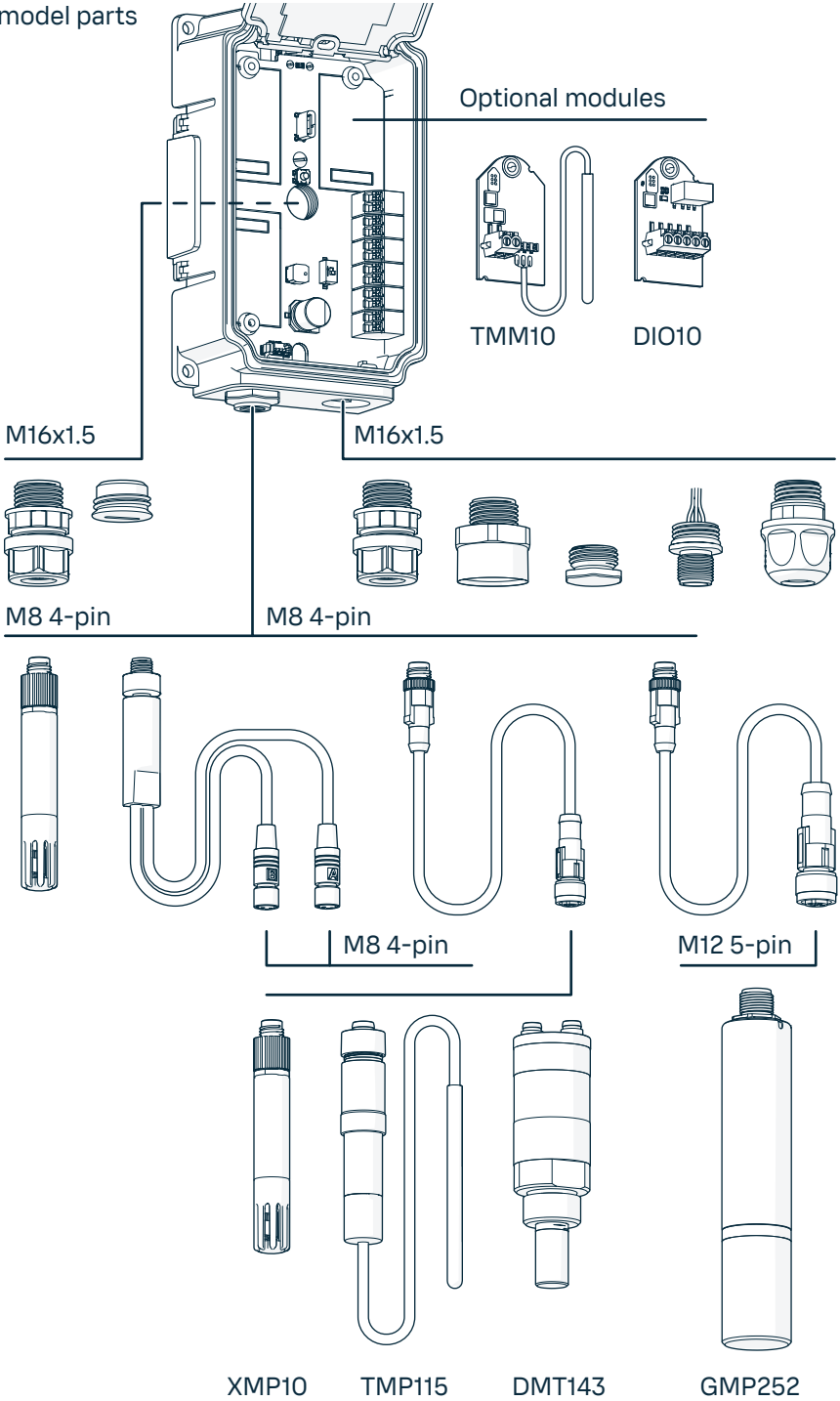
## Opening transmitter cover and display panel



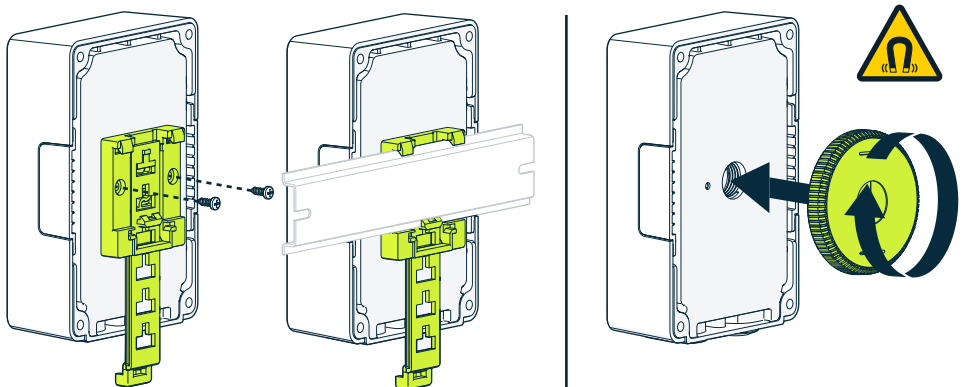
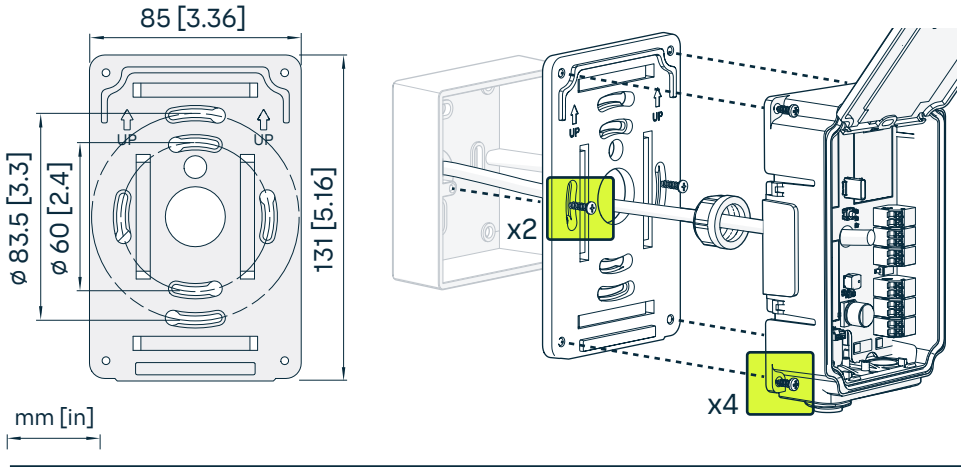
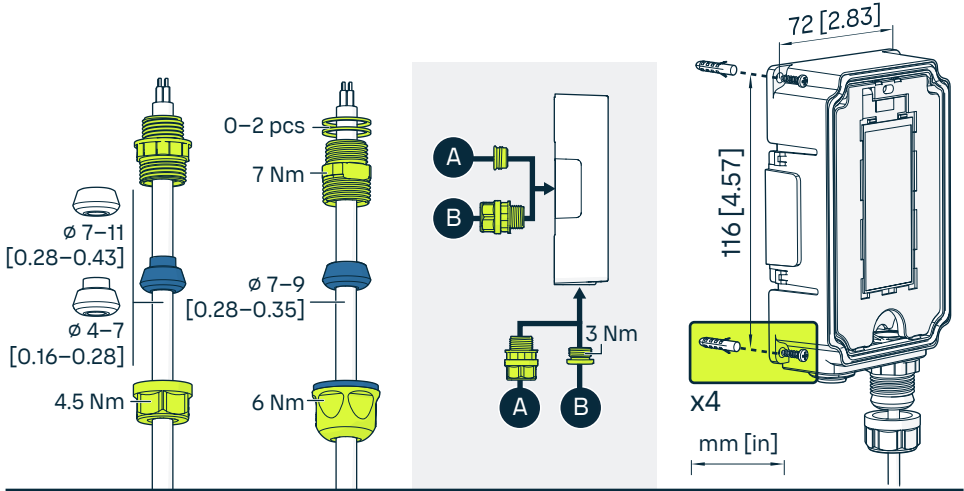
## Connecting to Vaisala Insight PC software with USB-C cable



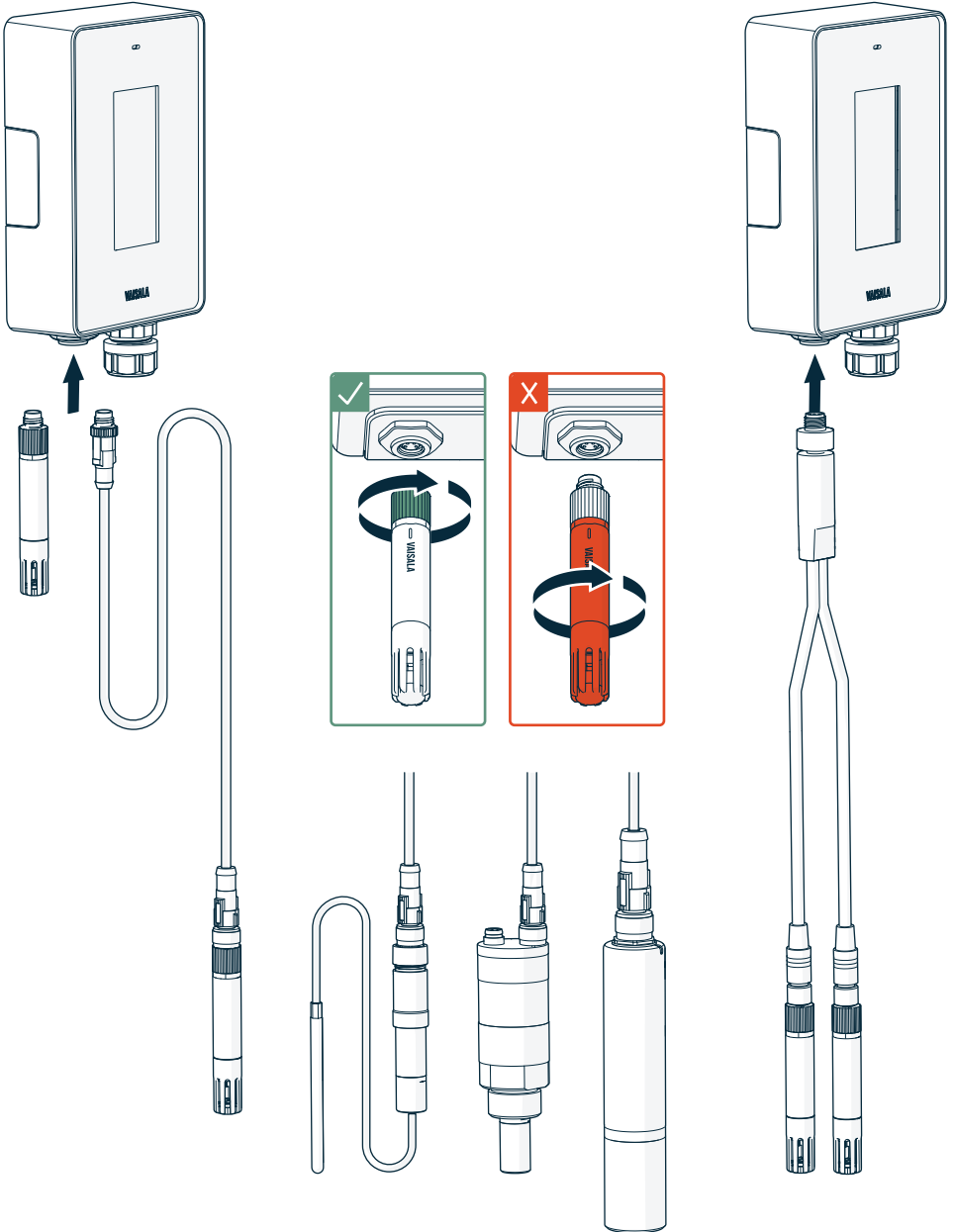
Wall model parts



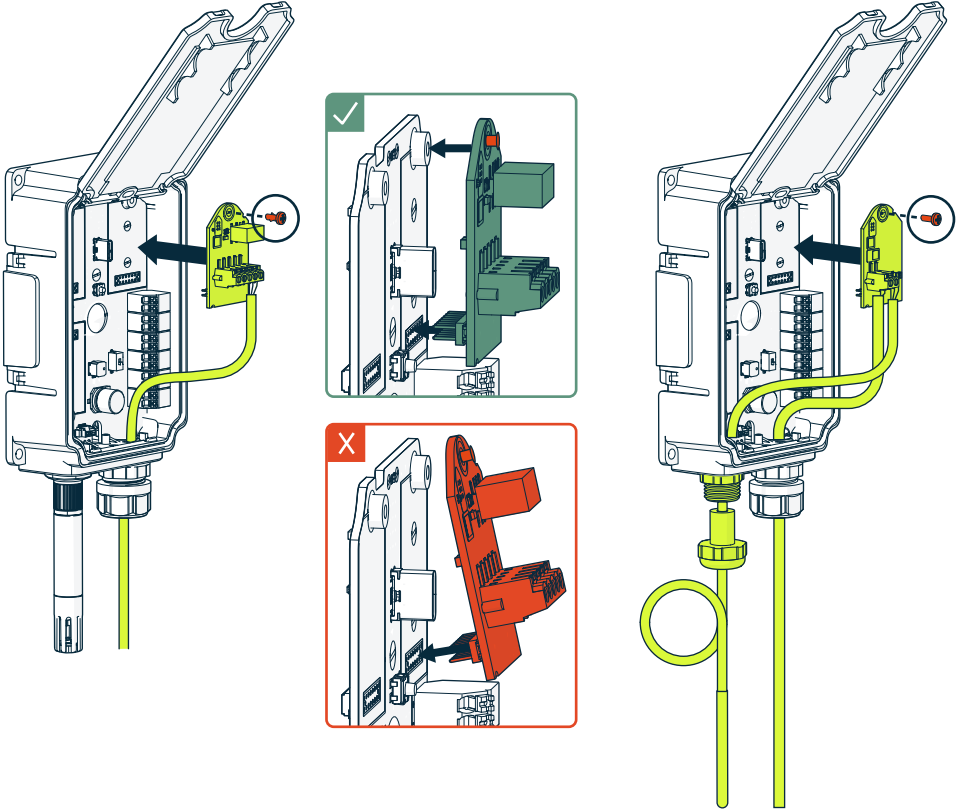
# Wall model installation options



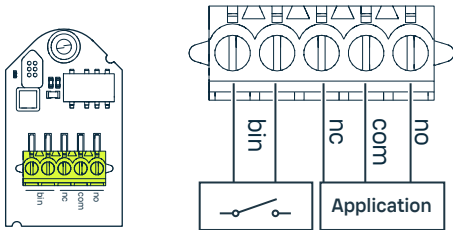
# Wall model probe options



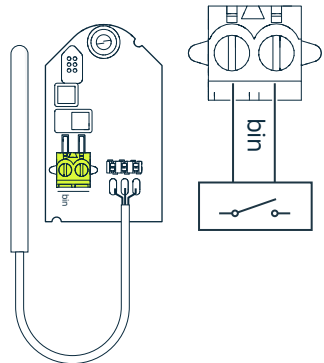
# Module options



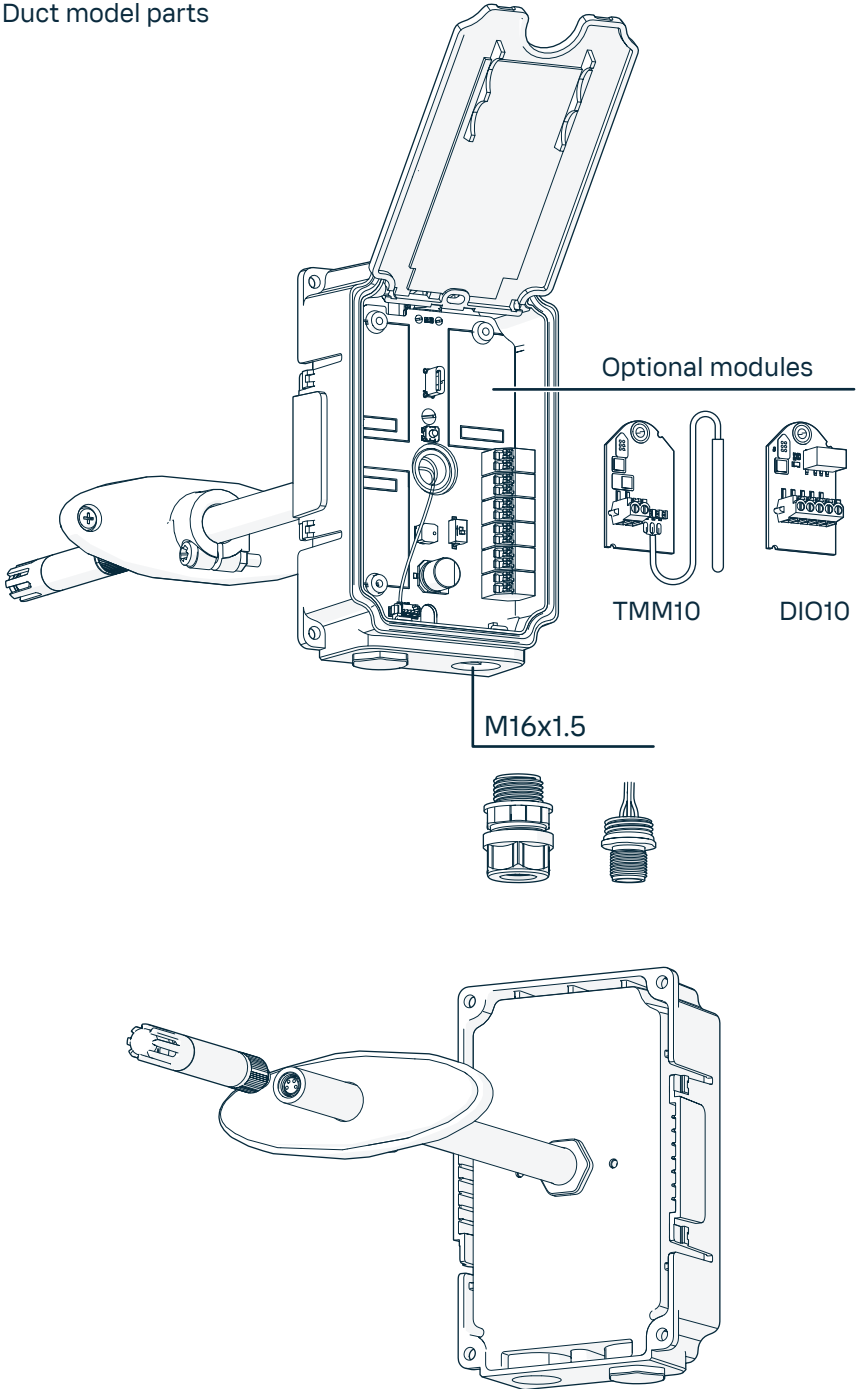
## Wiring DIO10



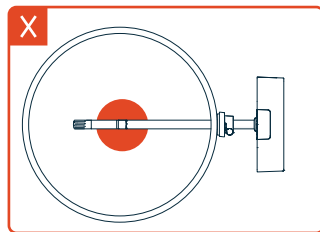
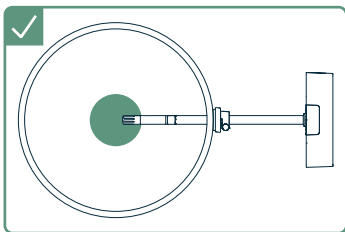
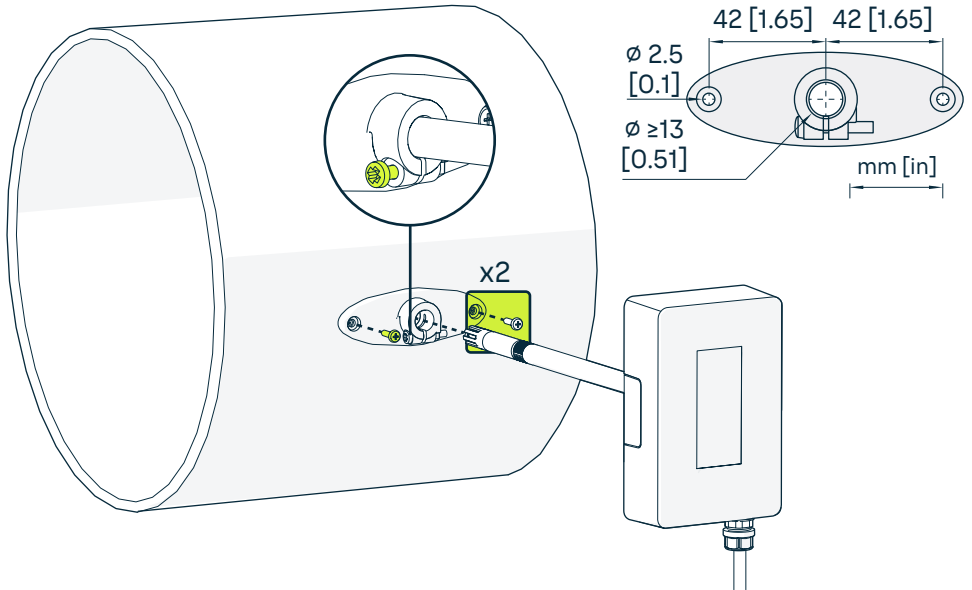
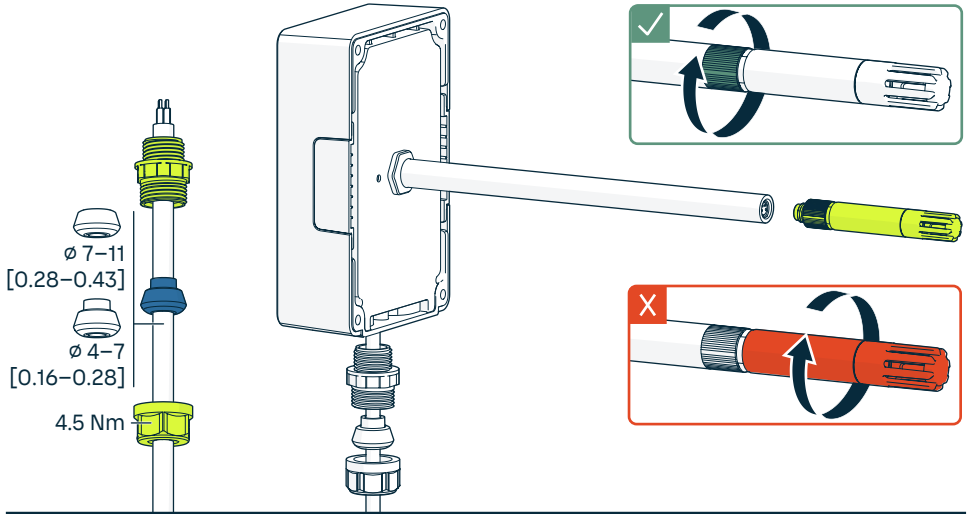
## Wiring TMM10



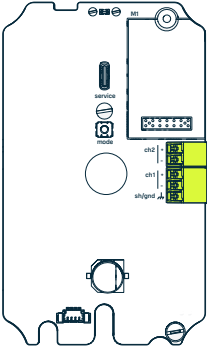
# Duct model parts



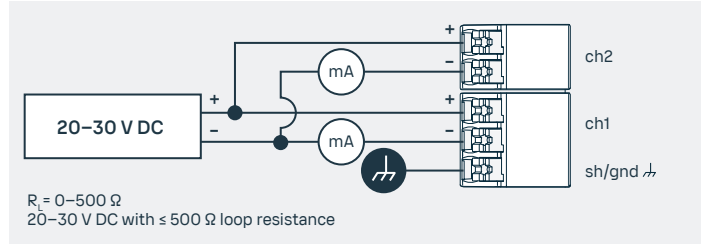
# Duct model installation



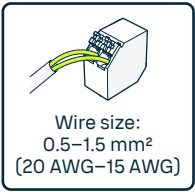
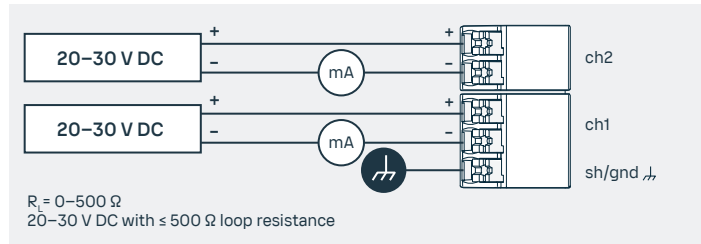
# Wiring Origo10L (2-wire)



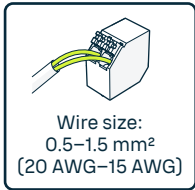
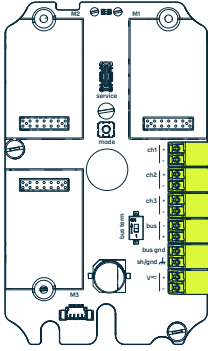
## Analog outputs (mA) with single power supply



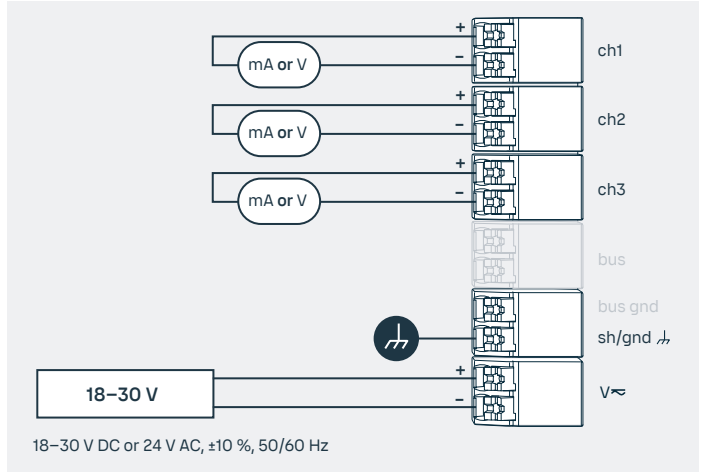
## Analog outputs with two power supplies



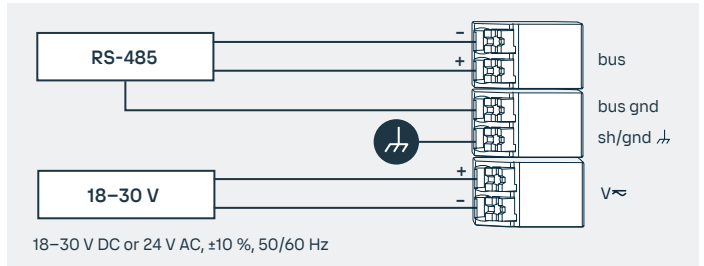
# Wiring Origo10A (3-wire)



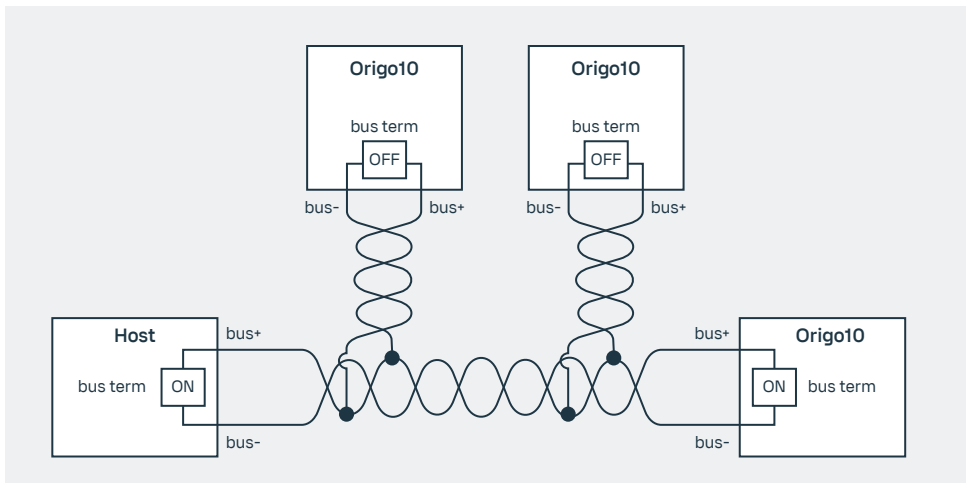
## Analog outputs (mA or V)



## Modbus/BACnet outputs



## RS-485 bus termination



# VAISALA

Visit [docs.vaisala.com](https://docs.vaisala.com) for product documentation updates and translations.

