

Pressure & Flow transmitter

Doc.No: md-1315gb_100504
Replaces: rev 2007-08-22

MF-PFM

- ✓ Four selectable pressure ranges
- ✓ Pressure or Flow linear output, 0..10V
- ✓ High precision measuring system
- ✓ Easy to zero adjust
- ✓ Easy to install



USE

Precision Pressure and Flow transmitter with four selectable pressure ranges:

PFM-200 ranges : 200/150/100/50 Pa
PFM-1000 ranges : 1000/750/500/250 Pa

The PFM-200 together with MFS flow sensors is suitable for velocity ranges of approximately:

12 m/s	200 Pa
10 m/s	150 Pa
8 m/s	100 Pa
6 m/s	50 Pa

Selectable pressure or flow linear output, 0..10V.
Selectable damping, 1 or 4 sec.

Mounting

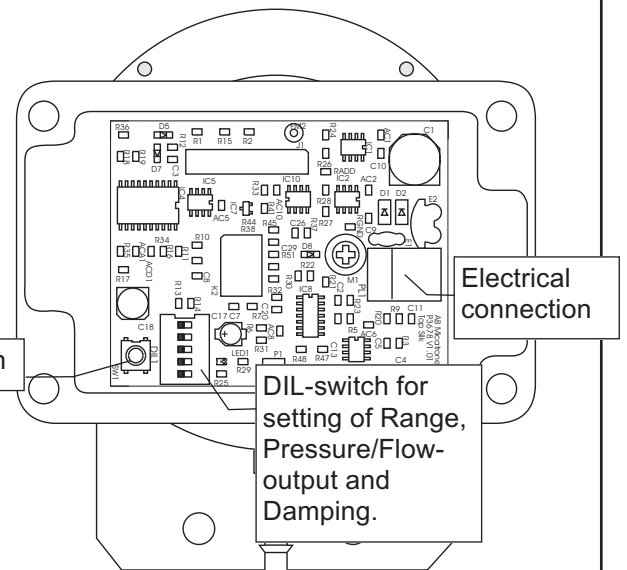
Micaflex PFM is mounted vertical with two screws max. $\varnothing 4,2$ mm with the pressure connections downwards. Pressure connections for 4 mm plastic tube.

Setting of range/damping

The pressure range and damping time is set with a miniature switch on the circuit board

Maintenance

Release the pressure tubes and press the Zero adjust button.



Technical Data

Measuring range,
 PFM-200: 200/150/100/50 Pa
 PFM-1000: 1000/750/500/250 Pa

Power supply: 24 VAC or 20-32 VDC
 Power consumption: 1,5 VA
 Overload: 50 kPa
 Output: 0...10 Volt
 pressure or flow linear.
 Surrounding temp.: 0...55 °C
 Accuracy: ± 1 % FS
 Temp.drift FS: max 0,5% / 10°C
 Time constant: 1 alt 4 seconds.

Comply with standards,
 - EMC : SS-EN 50081-1
 SS-EN 50082-2
 - LVD : SS-EN 61010-1

Enclosure,
 - material : ABS plastic
 - protection : IP54
 - dimension [wxhxd]: 98 x 105 x 100 mm

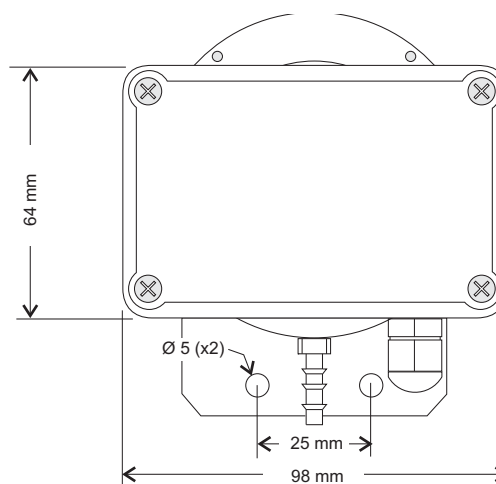
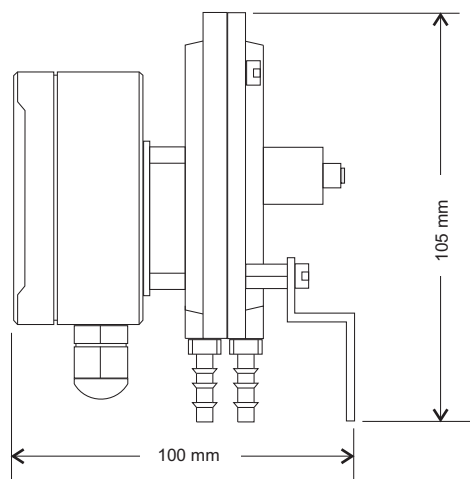
Weight: 320 g

Electrical connection: max 1x1,5mm²/terminal
 Cable entry : M12x1,5 threaded hole

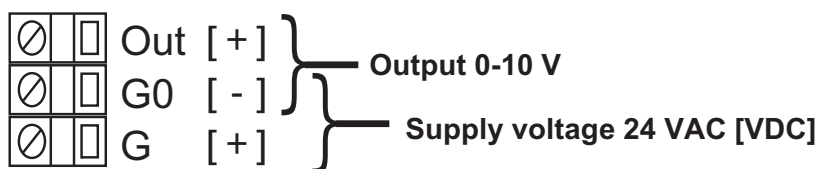
Maintenance

Micaflex PFM should be zero adjusted annually.

Dimensions:



Electrical connection:



AB Micatrone
 Åldermansvägen 3
 SE-171 48 SOLNA
 SWEDEN

Telephone: +46 8-470 25 00
Fax: +46 8-470 25 99
Internet: www.micatrone.se
E-mail: info@micatrone.se