



Series K . K40-A

AC Voltmeter and AC Ammeter

PANEL METERS

AC voltmeter and AC ammeter for panel mount, with 20 mm digit height. Scalable reading. Measure in True RMS. Measure up to 600 Vac and up to 5 Aac. Measure category CAT-II and CAT-III. Selectable signal coupling mode 'AC' or 'AC+DC'. Standard 96x48 mm size (1/8 DIN). Reading with 4 digit display. Fast access to alarm setpoints, 'on power up' function, 'measure' function, configurable reading brightness. Universal AC and DC power. Up to 3 optional modules for output and control (relays, analog outputs, Modbus RTU communications, RS-485 ASCII, RS-232, ...)

1. Panel meter K40-A

AC voltmeter and AC ammeter, size 96x48mm (1/8 DIN) , with 20 mm digit height

Panel meter 96x48mm (1/8 DIN) for AC voltage and AC current signals, with 20mm digit height. Reading with 4 digits scalable to 9999/-1999 with selectable decimal point position. Measure in True RMS. Measure category CAT-II and CAT-III. AC voltage measure up to 600 Vac, and AC current measure up to 5Aac. Signal measure coupling mode selectable in 'AC' or 'AC+DC'.

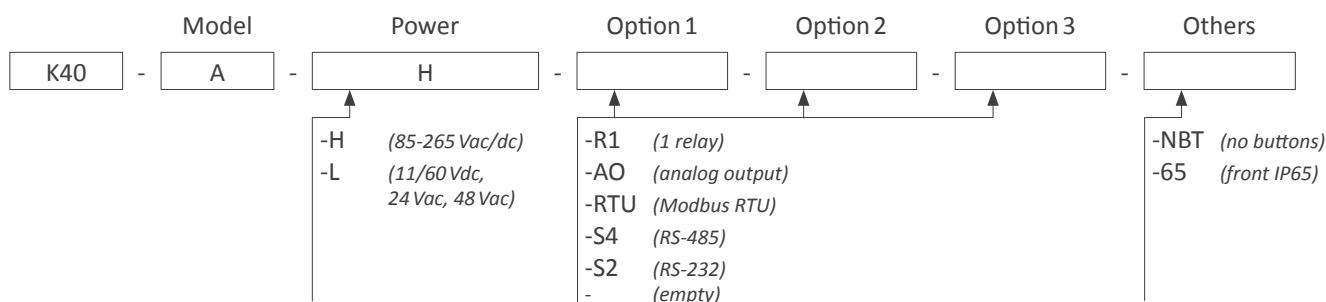
Options for output and control with 1, 2 and 3 relays, isolated analog outputs, communications in Modbus RTU, RS-485 ASCII and RS-232. Special options with 4 and 6 relay outputs.

Independent alarms configurable as maximum or minimum, with 1 or 2 setpoints per alarm, hysteresis, independent activation and deactivation delays and control for inverted relay.

Front protection IP54 with optional IP65. Connections by plug-in screw terminals. For industrial applications.

- **'Fast access'** menu to selected functions, accessible with key UP (▲) (see section 1.12.5)
 - **'Field correction'** for fast and easy on-the-field correction of signal offsets (see section 1.12.2)
 - **'On power up'** for system protection on first 'cold' start-up (see section 1.12.7)
 - Measure technique in **'True RMS'**
 - Measure coupling **'AC'** or **'AC+DC'** (see section 1.9)
 - **'Peak & hold'** for test-break applications (see section 1.12.4)
- Multiple display filters, memory for maximum and minimum reading, password protection, 5 brightness levels.

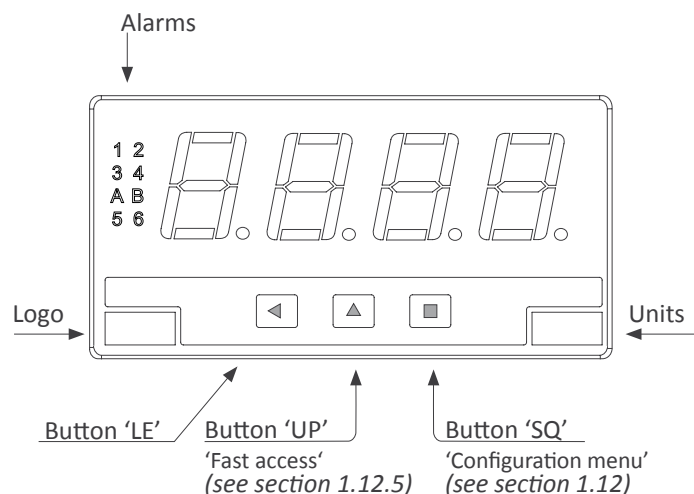
1.1 How to order



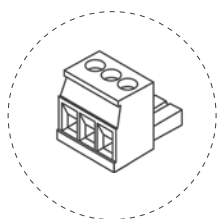
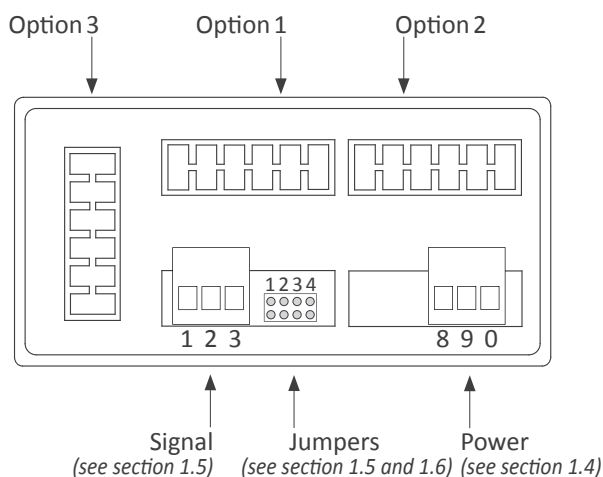
Index

1. Panel meter K40-A	2	1.13 Full configuration menu	12
1.1 How to order	2	1.14 To access the instrument	14
1.2 Front view	3	1.15 Modular system	14
1.3 Rear view	3	1.16 Precautions on installation	15
1.4 Power connections	3	1.17 Factory configuration	15
1.5 Signal connections - AC voltage	3	1.18 Warranty	15
1.6 Signal connections - AC current	3	1.19 CE declaration of conformity	15
1.7 Technical specifications	4	2. Output and control modules	16
1.8 Mechanical dimensions (mm)	5	2.1 Module R1	16
1.9 Coupling 'AC' or 'AC+DC'	5	2.2 Module AO	16
1.10 How to operate the menus	6	2.3 Module RTU	17
1.11 Messages and errors	6	2.4 Module S4	17
1.12 Configuration menu	7	2.5 Module S2	18
1.12.1 Initial set-up	7	2.6 Modules R2, R4, R6	18
1.12.2 Field correction	7	3. Other options	20
1.12.3 Alarms	8	3.1 Option NBT	20
1.12.4 Display filters	9	3.2 Option IP65	20
1.12.5 Fast access	10	4. Accessories	21
1.12.6 Super fast access	10	4.1 THM benchtop housing	21
1.12.7 Menu 'On Power Up'	10	4.2 Adapter KA96	21
1.12.8 Menu 'Key LE'	11	4.3 Adapter DRA-M	21
1.12.9 Function 'Password'	11	4.4 Protector IP65	21
1.12.10 Factory reset	11		
1.12.11 Firmware version	11		
1.12.12 Brightness	11		
1.12.13 Access to optional modules	11		

1.2 Front view



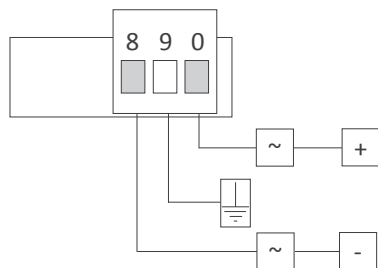
1.3 Rear view



Detail of the plug-in screw terminals provided with the instrument. The instrument is provided with all terminals needed, both male and female.

1.4 Power connections

Earth connection - Although a terminal is provided for earth connection, this connection is optional. The instrument does not need earth connection for correct operation nor for compliance with the security regulations.

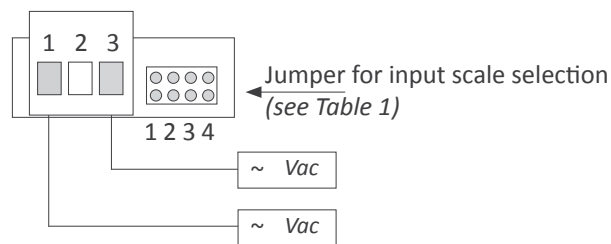


Fuse - To comply with security regulation 61010-1, add to the power line a protection fuse acting as disconnection element, easily accessible to the operator and identified as a protection device.

- Power 'H' fuse 250 mA time lag
- Power 'L' fuse 400 mA time lag

1.5 Signal connections - AC voltage

To configure the voltage AC measure, select the jumper for the desired scale as indicated in the table below. Then activate the selected scale in the configuration menu (see section 1.12.1) and connect the input signal to the signal terminals.

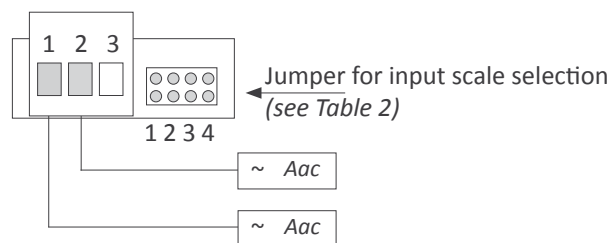


Scale	Close jumper	
600 Vac	---	
100 Vac	4	
10 Vac	3	
1 Vac	2	
100 mVac	1	

Table 1 - Jumper selection '1234' for AC voltage scales

1.6 Signal connections - AC current

To configure the current AC measure, select the jumper as indicated in the table below. Then activate the desired scale in the configuration menu (see section 1.12.1) and connect the input signal to the signal terminals.



Scale	Close jumper	
5 Aac	---	
1 Aac	---	

Table 2 - Jumper selection '1234' for AC current scales

1.7 Technical specifications

Digits

number of digits	4
led	7 segments led
color	red
digit height	20 mm

Reading

maximum reading*	9999
minimum reading*	-1999
decimal point	configurable X.X.X.X.
overrange	flash reading (see section 1.11)
underrange	flash reading (see section 1.11)
acquisitions	15 readings / second
display refresh	15 readings / second
step response*	<300mSec (input 0 to 95% FS) <500mSec (input 0 to 50% FS) <1100mSec (input 0 to 10% FS)

*The response time for a TrueRMS measuring system is faster for higher amplitude signals. Response times are given for input steps of 10%, 50% and 95% of the full scale (FS), calculated at 99% of end reading.

Measure

measured signals	AC voltages and AC currents
measure technique	True RMS
crest factor	3 for nominal accuracy 5 for accuracy of 2.5% FS
accepted connections	phase-neutral and phase-phase
measure coupling	'AC' or 'AC+DC' (see section 1.9)
scales	(see Table 3)
accuracy	(see Table 3)
thermal drift	(see Table 3)
signal continuity	+20% FS
minimum signal accepted	0.5% of the scale reading will be '0' for lower signals (see Table 3)
input impedance	(see Table 3)
bandwidth (at 99% FS)	1.3 KHz for AC voltages 2.0 KHz for AC currents
minimum frequency	25 Hz for reading oscillation ± 1 count

Power

power 'H'	85 a 265 Vac/dc
power 'L'	11 a 60 Vdc y 24/48 Vac
isolation*	3500 Veff with power 'H' 2000 Veff with power 'L' *all units tested during 60 seconds
consumption	<1.5 W only meter <4.0 W meter with options

Configuration

3 buttons front keypad
(and rear jumper)

Front protection

IP54 standard
IP65 optional (see section 3.2))

Output and control options

relays, analog outputs, serial communications, ... (see section 2)

Mechanical

mounting	panel
connections	plug-in screw terminal
housing material	ABS, polycarbonate (V0)
weight	<150 grams
front size	96 x 48 mm (1/8 DIN)
panel cut-out	92 x 44 mm
depth from panel	91 mm (including terminals)

Temperature

operation	from 0 to +50 °C
storage	from -20 to +70 °C
warm-up time	15 minutes

Scale	Accuracy	Zin (at 50 Hz and 60 Hz)	Max. signal overload	Offset drift	Span drift* *includes offset drift
600 Vac	0.25 % FS	14 M	1000 Vac permanent	150 ppm/°C	200 ppm/°C
100 Vac	0.15 % FS	2 M	200 Vac permanent	75 ppm/°C	100 ppm/°C
10 Vac	0.15 % FS	200 K	200 Vac permanent	75 ppm/°C	100 ppm/°C
1 Vac	0.15 % FS	20 K	65 Vac permanent	75 ppm/°C	100 ppm/°C
100 mVac	0.20 % FS	1 K	4.5 Vac permanent	75 ppm/°C	150 ppm/°C
5 Aac	0.20 % FS	20 mOhm	16 Aac @5 seconds	75 ppm/°C	150 ppm/°C
1 Aac	0.20 % FS	20 mOhm	16 Aac @5 seconds	75 ppm/°C	150 ppm/°C

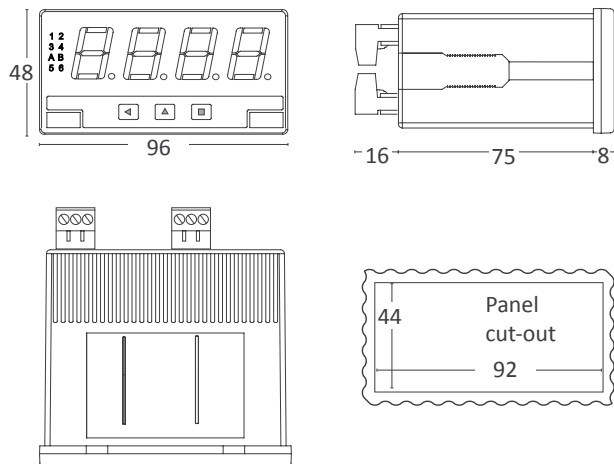
Table 3 - Technical specifications for each input scale

1.7 Technical specifications (cont.)

Functions included		Section
'Fast access'	yes	1.12.5
'On Power Up'	yes	1.12.7
'Field correction'	yes, high and low signals	1.12.2
Alarms	double setpoints activation delays deactivation delays hysteresis inverted relays locked alarms	1.12.3
Display filters	recursive steps fixed digits left zeros	1.12.4
Block of 'DC' component	yes	1.9
'Locked alarms'	yes	1.12.8
Memory	max. and min. readings	1.12.4
Password	configuration block	1.12.9
'Measure'	yes	1.12.5
'Peak & Hold'	yes	1.12.4
Display brightness	5 levels	1.12.12

Table 4 - Functions included

1.8 Mechanical dimensions (mm)



1.9 Coupling 'AC' or 'AC+DC'

The instrument provides an internal jumper to block the DC component of the signal. By default, the blocking of the DC component is disabled. To block the DC component of the signal, access the internal of the instrument (see section 1.15) and open jumper JP3.

- 'AC+DC' JP3 closed (by default)
- 'only AC' JP3 open
- the 1 Aac scale is available only with 'AC+DC' coupling



1.10 How to operate the menus

The instrument has two menus accessible to the user :

'Configuration menu' (key SQ) (■)

'Fast access' menu (key UP) (▲)

Configuration menu

The 'configuration menu' modifies the configuration parameters to adapt the instrument to the application needs. To access the 'configuration menu' press for 1 second the SQ (■) key. This access can be blocked by activating the 'Password' ('PASS') function. While operating the 'configuration menu', the alarm status is 'hold' to the status they had before accessing the menu, and the output and control modules remain in 'error' state. When leaving the 'configuration menu', the instrument applies a system reset, followed by a brief disconnection of the alarms and the output and control modules. Functionality is then recovered.

For a detailed explanation on the 'configuration menu' see section 1.12, and for a full view of the 'configuration menu' structure see section 1.13.

'Fast access' menu

The 'fast access' menu is an operator configurable menu, providing fast and direct access to the most usual functions of the instrument with a single key pad stroke. Press key UP (▲) to access this menu.

See section 1.12.5 for a list of functions eligible for 'fast access' in this instrument. The 'Password' ('PASS') function does not block access to this menu. Accessing and modifying parameters in the 'fast access' menu does not interfere with the normal functionality of the instrument, and it does not generate any system reset when validating the changes.

Front key pad description

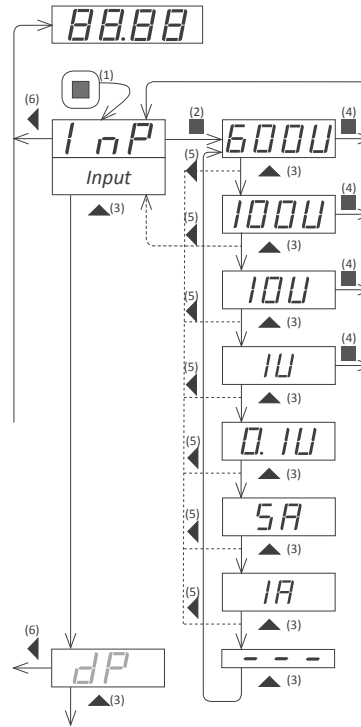
Key SQ (■) - press the SQ (■) key for 1 second to access the 'configuration menu'. Inside the menu, the SQ (■) key functions as a 'ENTER' key. It selects and accesses the menu option currently displayed. At menus with numerical value entries, it validates the number displayed.

Key UP (▲) - the UP (▲) key gives access to the 'fast access' menu. Inside the menu, it moves vertically through the different menu options. At menus with numerical value entries, it modifies the digit selected by increasing its value to 0, 1, 2, 3, 4, 5, 6, 7, 8, 9.

Key LE (◀) - inside the menus, the LE (◀) key functions as the 'ESCAPE' key. It leaves the selected menu, and eventually, will leave the whole menu. When leaving the 'configuration menu' with the LE (◀) key, the changed parameters are activated. At menus with numerical value entries, the LE (◀) key allows to select the active digit. To modify the value of the selected digit use the UP (▲) key.

Menu 'rollback'

After 30 seconds without interaction from the operator, the instrument will rollback and leave the 'configuration menu' or the 'fast access' menu. All changes will be discarded.



Example of operation inside the 'configuration menu'.

1. The SQ (■) key enters into the 'configuration menu'.
2. The SQ (■) key enters into the 'InP' option menu.
3. The UP (▲) key moves through the menu options.
4. The SQ (■) key selects the desired range and returns to the 'InP' menu.
5. The LE (◀) key leaves the actual menu level and moves to the previous menu level.
6. The LE (◀) key leaves the 'configuration menu'. Changes are applied and saved at this moment.

1.11 Messages and errors

The error messages are shown on display in flash mode.

Messages and errors	
'h.ldr' 'h.ovr'	Hardware underrange ('h.ldr') / overrange ('h.ovr'). Input signal is lower / higher than the minimum / maximum signal the instrument can detect.
'd.ldr' 'd.ovr'	display underrange ('d.ldr') / overrange ('d.ovr'). The instrument already displays the minimum / maximum value possible (-1999 / 9999).
'hold'	the 'hold' function is active. Display is on hold.
'P.hLd'	the 'Peak&Hold' function is active.
'Err.0'*	at the 'scaling' ('ScAL') menu entry, the defined slope is higher than '5000' (slope almost vertical). Entered values are dismissed and default values are activated.
'Err.1'	incorrect password.
'Err.2'	at 'oPt.X' menu entry. Installed module is not recognized.

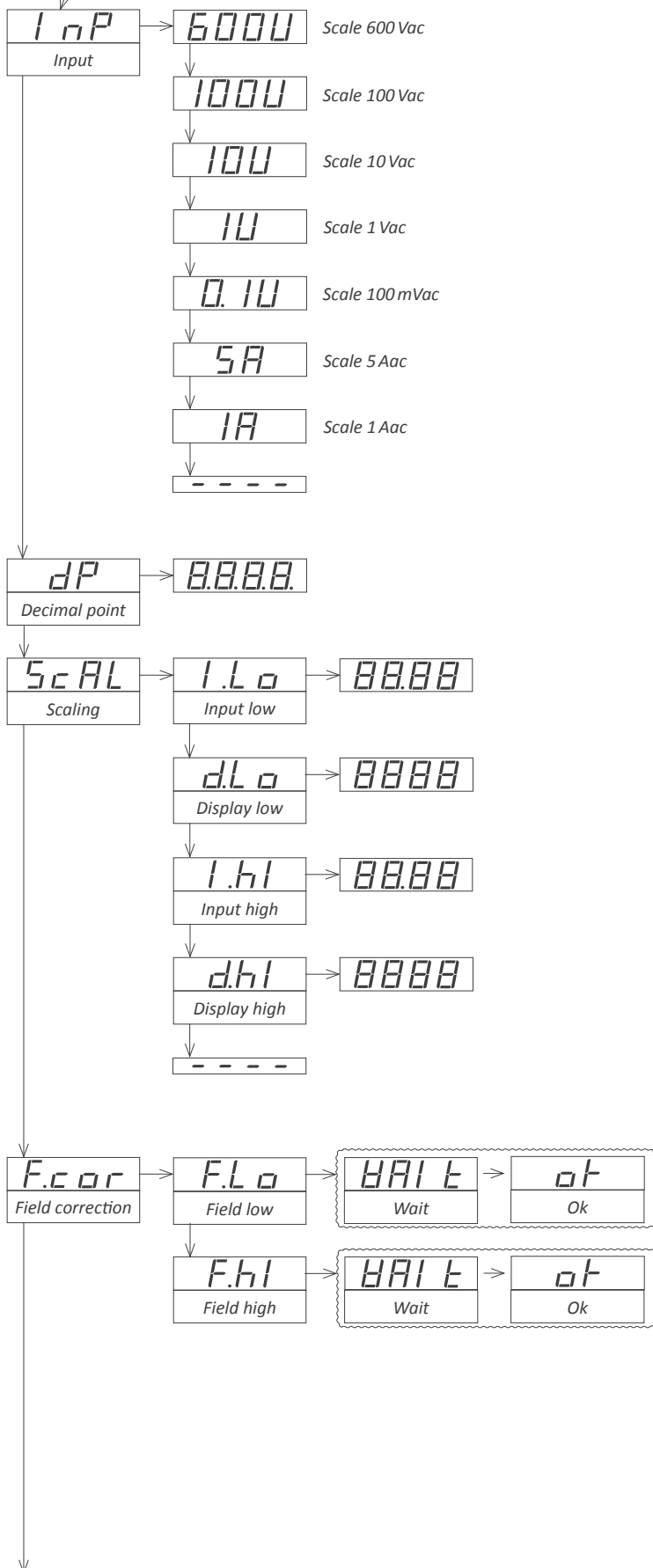
Table 5 - Messages and error codes

*slope calculation for error 'Err.0'.

$$\frac{(dH-dLo) \text{ [counts]}}{(Ih-ILo) \text{ [mA or Vdc]}} < 5000$$

1.12 Configuration menu

Press 'SQ' (■) for 1 second to access the 'configuration menu'. For a description on how to operate inside the menus see section 1.10. For a full vision of the 'configuration menu' structure see section 1.13.



1.12.1 Initial set-up

To configure the initial set up of the instrument, select the measure scale, the decimal point position, and scale the reading.

Access the 'Input' ('InP') menu to select the measure scale. Options available are 0/600Vac, 0/100Vac, 0/10Vac, 0/1Vac, 0/100mVac, 0/5Aac and 0/1Aac. Place the rear jumper according to the scale selected (see sections 1.5 and 1.6).

Access the 'Decimal point' ('dP') menu to select the decimal point position. Move the decimal point by pressing the 'LE' (◀) key.

Scale the reading at the 'Scaling' ('ScAL') menu. There are four parameters to configure :

- 'Input low' ('I.Lo') - minimum input signal, in Vac or Aac.
- 'Display low' ('d.Lo') - reading associated to the minimum input signal.
- 'Input high' ('I.HI') - maximum input signal, in Vac or Aac.
- 'Display high' ('d.HI') - reading associated to the maximum input signal.

1.12.2 Field correction

The 'Field correction' ('F.cor') functions allows to correct the instrument scaling parameters, when the instrument is being installed on the field, providing a fast and easy way to compensate offset signals.

To operate the 'Field correction' ('F.cor') function, generate the minimum input signal and access the 'Field low' ('F.Lo') function. The instrument will read the input signal and automatically configure the 'Input low' ('I.Lo') parameter to match the signal read.

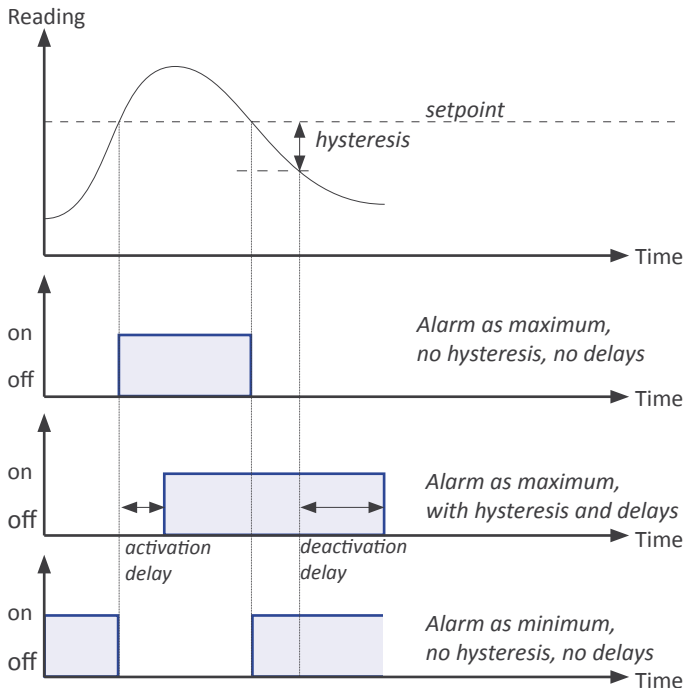
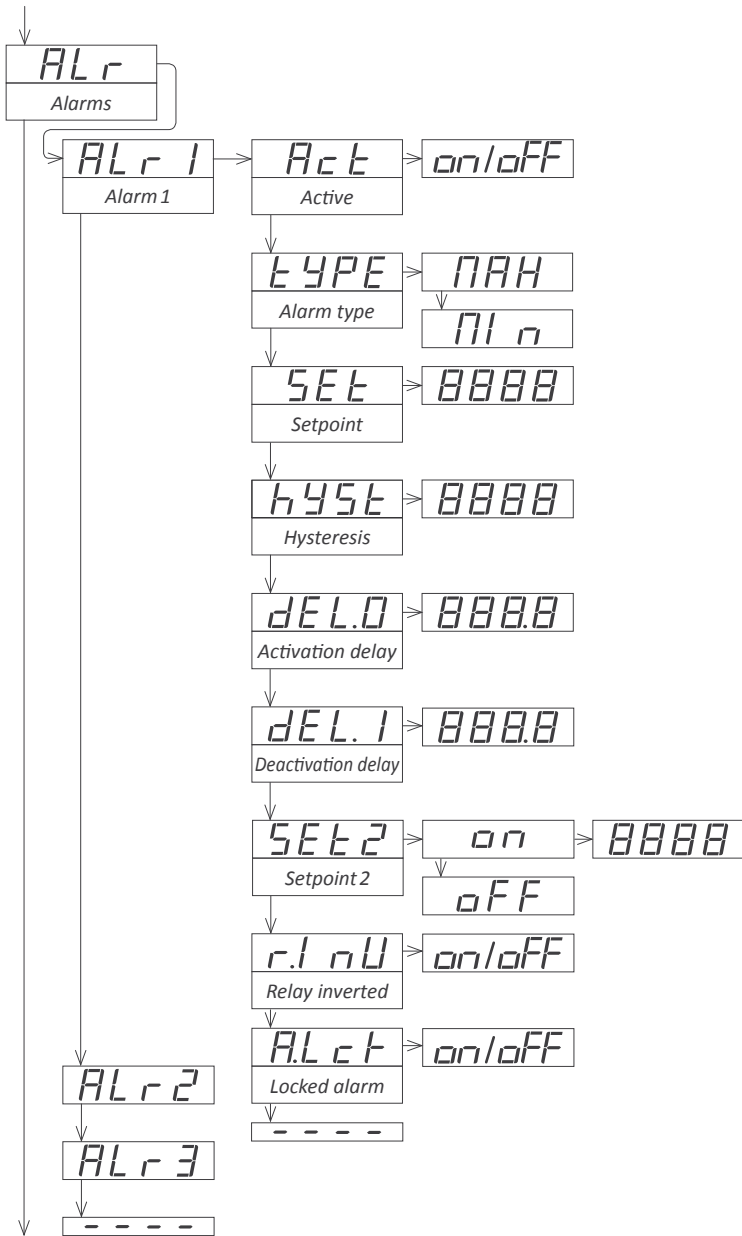
Repeat the process generating the maximum input signal and access the 'Field high' ('F.HI') menu. The instrument will read the input signal and automatically configure the 'Input high' ('I.HI') parameter to match the signal read.

Application - a current transformer provides a 0/5Aac output signal proportional to the consumption of an engine from 0 to 100.0 Aac. At installation, the operator detects that the reading at maximum engine consumption reads less than 100.0 Aac, although he knows it is consuming 100.0 Aac. There is a reading mismatch due to the current transformer characteristics.

Configure the instrument for a measure scale of 0/5Aac and scale the reading for 0/100.0Aac. When engine is consuming 100 Aac and meter is reading less value, apply the 'Field correction' / 'F.HI' function and the instrument will automatically correct the reading to 100.0Aac.

If there is also offset error, the same applies when engine is stopped. Reading should be 0.0Aac. If it is not the case, apply the 'Field correction' / 'F.Lo' function and the instrument will automatically correct the reading to 0.0Aac.

1.10 Configuration menu (cont.)

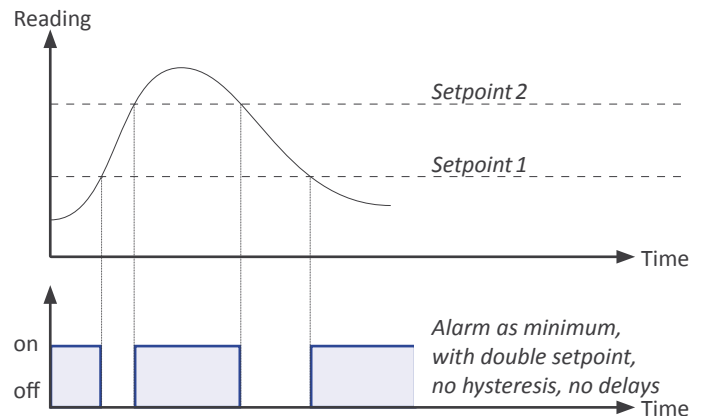


1.12.3 Alarms

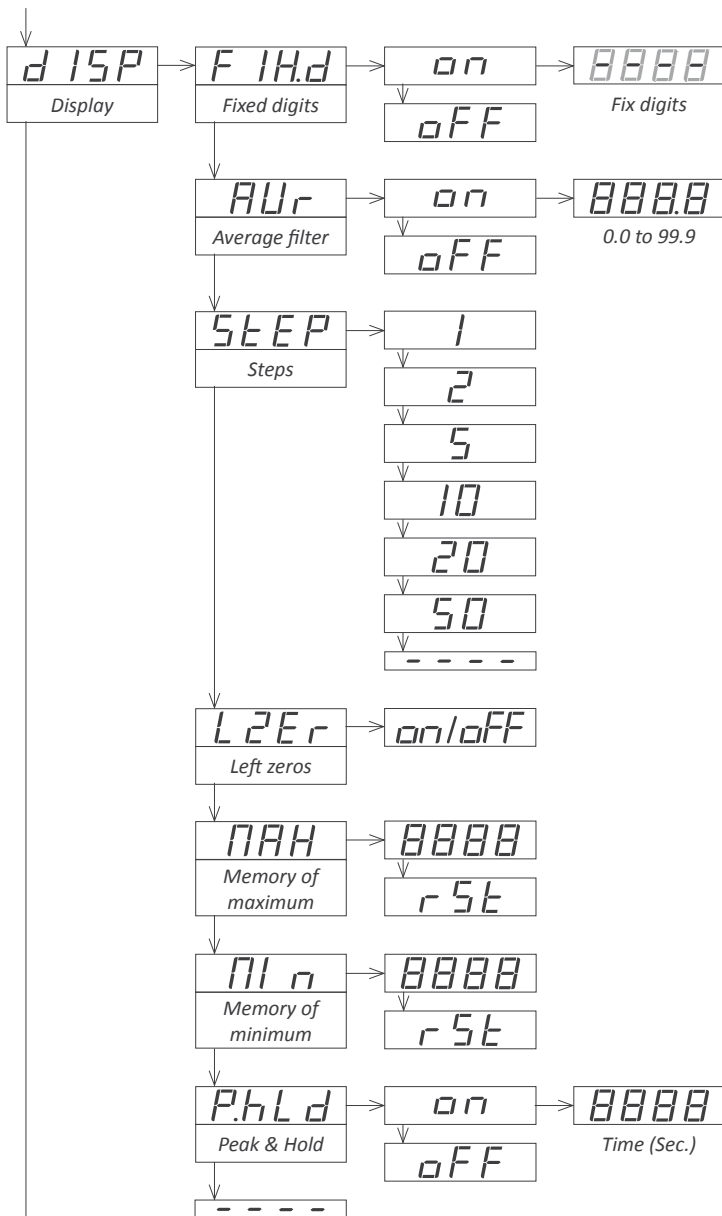
The 'Alarms' ('ALr') menu configures the independent activation of up to 3 relay outputs, installed with the R1 optional modules (see section 2.1). For outputs up to 4 and 6 relays, see special modules R2, R4 and R6 at section 2.6. The alarm states are indicated in the front display with leds marked as '1', '2' and '3'.

To configure an alarm, enter into the alarm menu ('ALr1', 'ALr2' or 'ALr3') and configure the following parameters :

- select 'Active' ('Act') to 'on'
- at 'Alarm type' ('Type') select the alarm acting as a maximum type alarm ('MAX') or a minimum type alarm ('Min'). The maximum type alarm (or minimum type alarm) activates when the display value is higher (or lower) than the setpoint value.
- at 'Setpoint' ('Set') enter the value for the alarm activation point. This parameter is eligible for configuration through the 'Fast access' menu (see section 1.12.5).
- configure the hysteresis value at 'Hysteresis' ('hyst'). The hysteresis applies to the deactivation process of the alarm. The alarm deactivates when the reading has passed the setpoint value plus the hysteresis value. Hysteresis helps to avoid repetitive switching of the alarm relays, due to fluctuating input signals around the setpoint.
- at 'Activation delay' ('dEL.0') configure the delay to apply before alarm activation. The activation delay starts counting when the setpoint value is passed. Value from 0.0 to 99.9 seconds.
- at 'Deactivation delay' ('dEL.1') configure the delay to apply before alarm deactivation. The deactivation delay starts counting when the setpoint value plus the hysteresis value, is passed. Value from 0.0 to 99.9 seconds.
- to work with 'windowed alarms' (see graphical example below) activate 'Setpoint 2' ('Set2') to 'on' and then configure the desired second setpoint value. Second setpoint must always be higher in value than the first setpoint.
- the 'Relay inverted' ('r.Inv') parameter inverts the normal relay connections. When set to 'on' the relay will be active when alarm is inactive. For security applications where an inactive relay controls the shutdown of the system.
- the 'Locked alarm' ('A.Lck') parameter disables the automatic deactivation of the alarm. Alarm deactivation must be performed manually, by pressing the 'LE' front button (see section 1.12.8)



1.10 Configuration menu (cont.)



1.12.4 Display filters

The instrument provides several functions to personalize the reading of the display values

- the **'Fixed Digits' ('FIX.d')** allows to fix each digit to a fixed value. As an example, fix the least significant digit to a '0' in order to block noisy fluctuations. To fix a digit, all digits to its right must be also fixed. Value '-' means that the digit is not fixed.

- the **'Average filter' ('AVr')** function allows to reduce reading oscillations due to noisy signals. It applies a recursive filter on the reading value. To activate the average filter set 'AVr' to 'on' and assign the filter strength between '0.0' and '99.9'. Higher values activate stronger filter. Stronger filters slow down the reading changes.

- the **'Steps' ('StEP')** function allows to define minimum reading steps, which will be done in steps of 1, 2, 5, 10, 20 or 50 counts.

Example - selecting a step of 20 configures the reading to change in steps of 20 counts ('1420', '1440', '1460', ...).

- the **'Left Zero' ('LZEr')** function lights all zeros to the left.

- the **'Memory of maximum' ('MAX')** function displays the maximum reading value stored in memory. It also provides a way to reset the value. This parameter is eligible for configuration through the 'Fast access' menu (see section 1.12.5).

- the **'Memory of minimum' ('MAX')** function displays the minimum reading value stored in memory. It also provides a way to reset the value. This parameter is eligible for configuration through the 'Fast access' menu (see section 1.12.5).

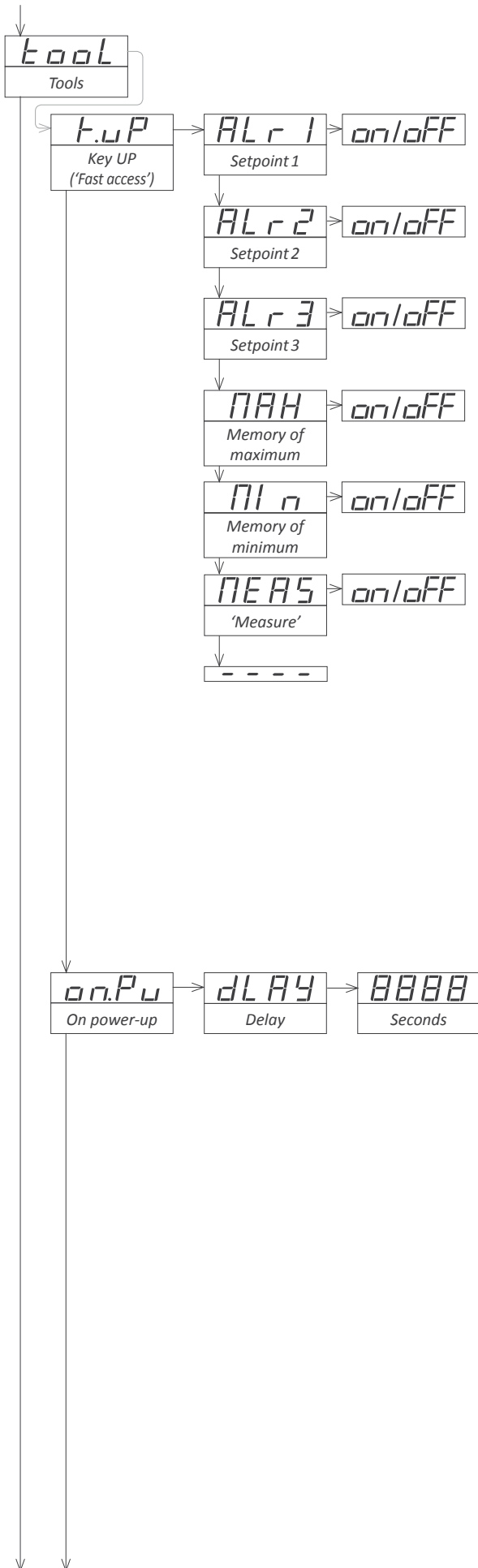
- the **'Peak & hold' ('P.hLd')** function visualizes and hold the maximum reading. For test-break applications, where the meter always increases its value until the unit under test breaks and the signal falls down. The meter maintains the maximum reading before the signal fell down.

To free the 'hold' reading, press any of the front key pad or wait the time configured at the 'time' parameter.

- Time 0 hold disabled (Off)
- Time 1 a 3999 seconds waiting
- Time 4000 infinite hold

While 'hold' is active, the instrument alarms are still associated to the input signal, therefore still providing control to disconnect the application once the test has finished.

1.10 Configuration menu (cont.)



1.12.5 Fast access

The 'UP' (▲) key at the front of the instrument gives access to a list of functions configurable by the operator. See section 1.10 for an explanation on how to operate the 'fast access' menu.

The 'Key UP (Fast access)' ('K.uP') menu allows to select which functions will be accessible through the 'fast access' menu. Select 'on' to activate each function.

- the 'Setpoint 1' ('ALr1') function allows to visualize and modify the alarm1 setpoint through the 'fast access' menu.
- the 'Setpoint 2' ('ALr2') function allows to visualize and modify the alarm2 setpoint through the 'fast access' menu.
- the 'Setpoint 3' ('ALr3') function allows to visualize and modify the alarm3 setpoint through the 'fast access' menu.
- the 'Memory of maximum' ('MAX') or 'Memory of minimum' ('Min') functions allow to visualize the maximum or minimum reading value stored in memory. To reset this value, visualize the memory value at the 'fast access' menu with key UP (▲) and when message 'rSt' is displayed, press (■) to reset.
- the 'Measure' ('MEAS') function allows to visualize the actual signal at input terminals, without scaling. Example : with an instrument with input 4/20 mA, the 'measure' function will show the direct value in mA.

1.12.6 Super fast access

If only a single function is selected for the 'fast access' menu, pressing the the 'UP' (▲) key will shortly display the function name and then automatically jump to the function value.

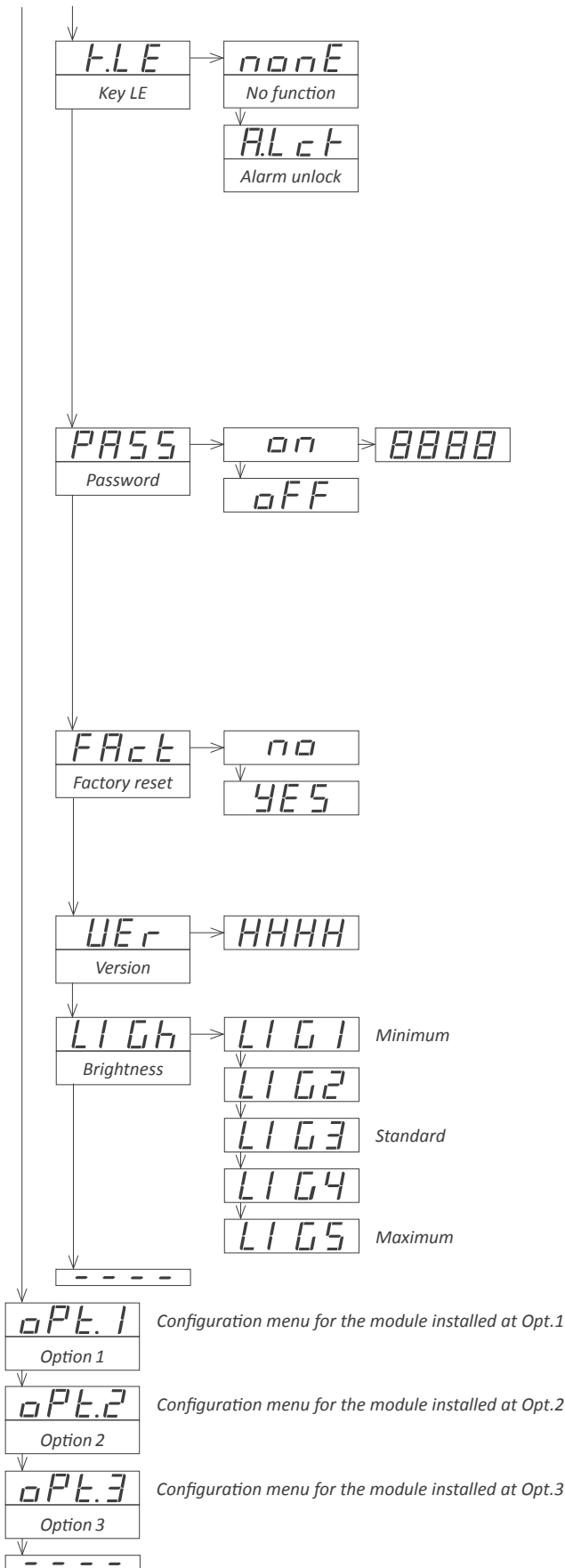
1.12.7 Menu 'On Power Up'

The 'On Power Up' ('on.Pu') menu configures functions to apply at start-up. It applies only to instrument restart after power loss. It does not apply to instrument restart due to change in configuration.

- parameter 'Delay' ('dLAY') assigns a waiting time in seconds. The instrument waits the configured time before starting normal function. During this waiting time, the display shows all decimal points on in flash mode, all alarms are in 'off' state, there is no signal acquisition and there is no communications or control being performed. After the configured time is over, the instrument starts in normal function.

Application - the start-up process for an automation system implies that different parts of the system (engines, actuators, controllers, ...) have different start-up times. The 'Delay' function gives time to the instrument to wait until the slowest part of the system is fully functional before executing actions on the system (signal reading, relay activation, ...)

1.10 Configuration menu (cont.)



1.12.8 Menu 'Key LE'

The 'LE' (◀) key at the front of the instrument can be configured to activate several functions. Only one function can be assigned to the 'LE' (◀) key

- the 'No function' ('nonE') value assigns no function.
- the 'Alarm unlock' ('A.Lck') value assigns the manual unlock of the alarms function, for instruments with the 'Locked alarms' ('A.Lck') function activated (see section 1.12.3)

1.12.9 Function 'Password'

At the 'Password' ('PASS') menu select a 4 digit code to block access to the 'configuration menu'. Instrument configuration will not be accessible to non authorized personnel. To activate the 'Password' select 'on' and introduce the code.

The code will be requested when trying to access the 'configuration menu' (key 'SQ' (■)). The 'fast access' menu is not password protected.

1.12.10 Factory reset

At the 'Factory reset' ('FAct') menu, select 'yes' to load the default factory configuration for the instrument (see section 1.17).

1.12.11 Firmware version

The 'Version' ('VEr') menu informs of the current firmware version installed in the module.

1.12.12 Brightness

At the 'Brightness' ('LIgh') menu select the light intensity for the front leds. With this function it is possible to adapt the instrument to the environment light intensity.

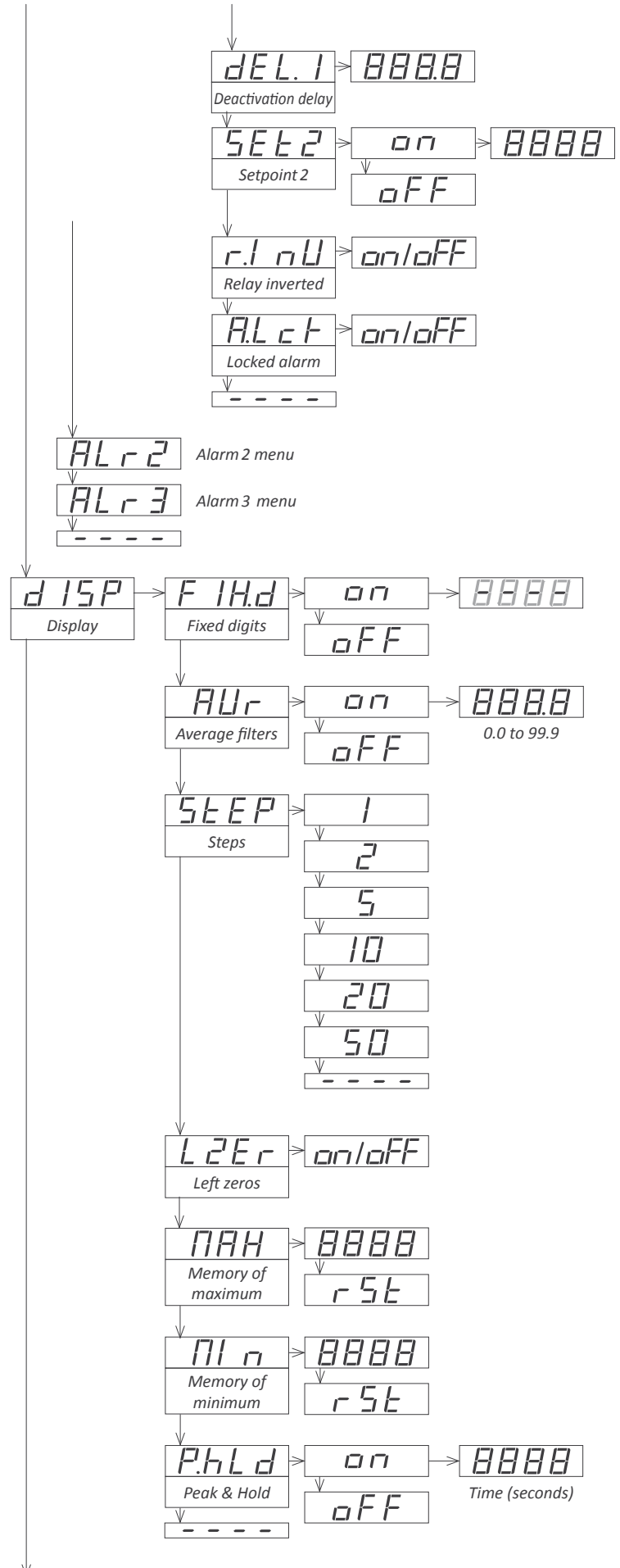
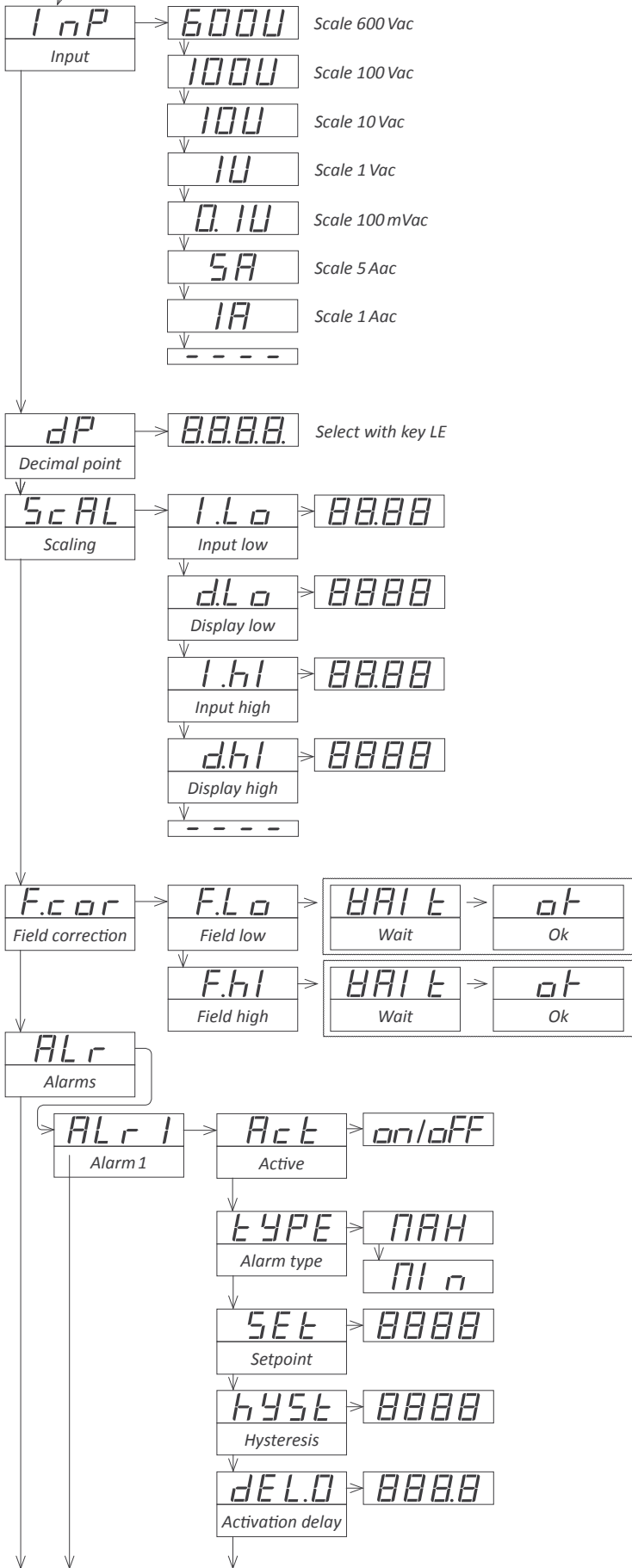
1.12.13 Access to optional modules

Menus 'Opt.1', 'Opt.2' and 'Opt.3' give access to the 'configuration menus' of the output and control modules installed at slots Opt.1, Opt.2 and Opt.3.

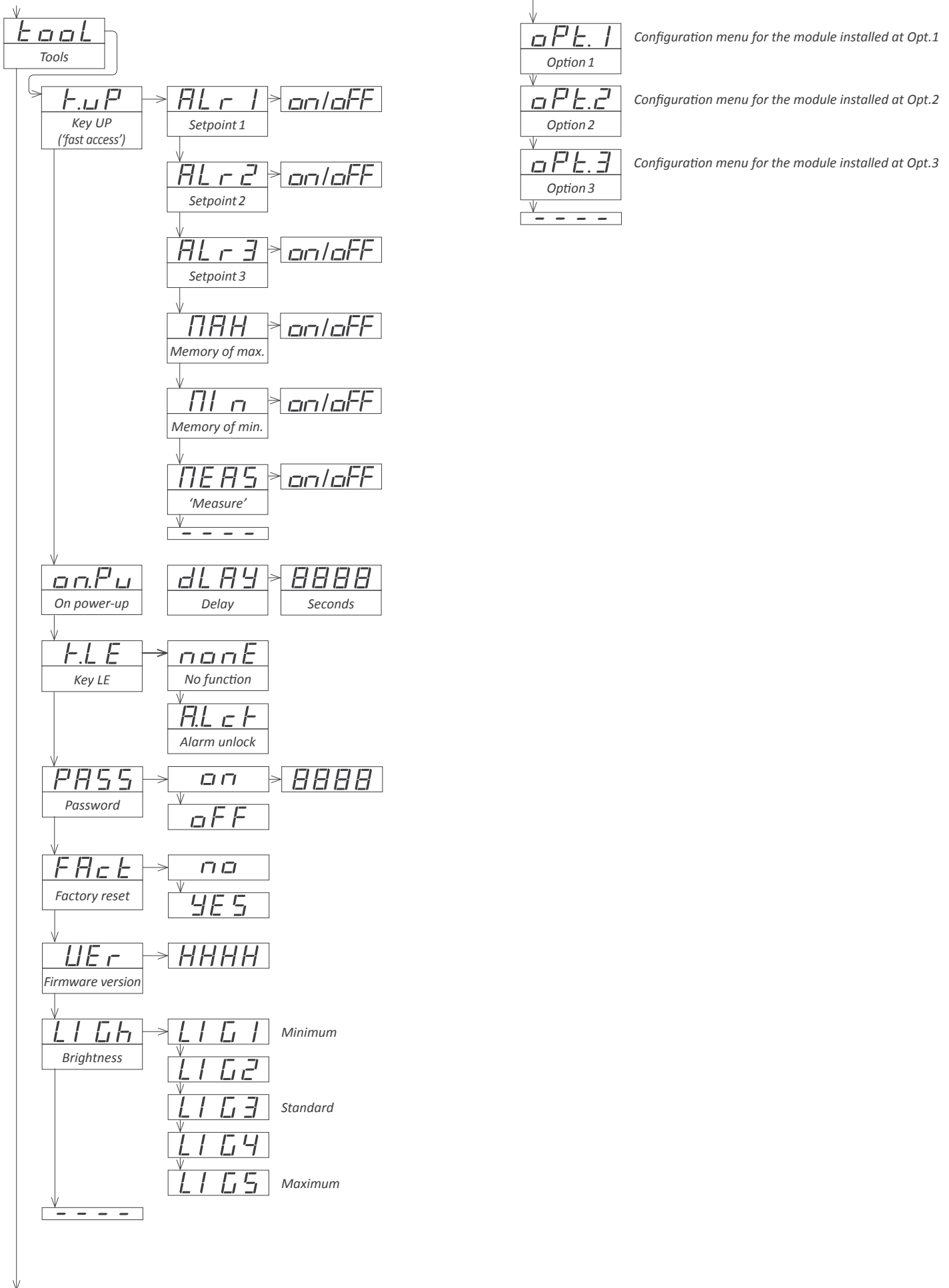
See section 2 for a list of output and control modules available for each slot. The 'configuration menu' of each module is described at the User's Manual of each module.

1.13 Full configuration menu

Press 'SQ' (■) for 1 second to access the 'Configuration menu'. See section 1.12 for a description of each menu entry.



1.11 Full configuration menu (cont.)

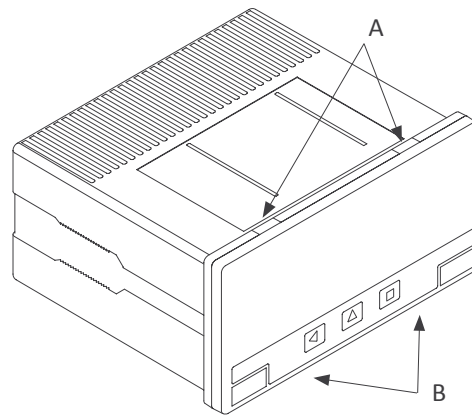


1.14 To access the instrument

You may need to access the inside of the instrument to add or replace internal modules. Use a flat screwdriver to unlock the upper clips marked with 'A'. Then unlock the lower clips marked with 'B' and remove the front cover. Let the inside of the instrument slide out of the housing.

To reinsert the instrument make sure that all modules are correctly connected to the pins on the display module. Place all the set into the housing, assuring that the modules correctly fit into the internal guiding slides of the housing. Once introduced, place again the front cover by clipping first the upper clips 'A' and then the lower clips 'B'.

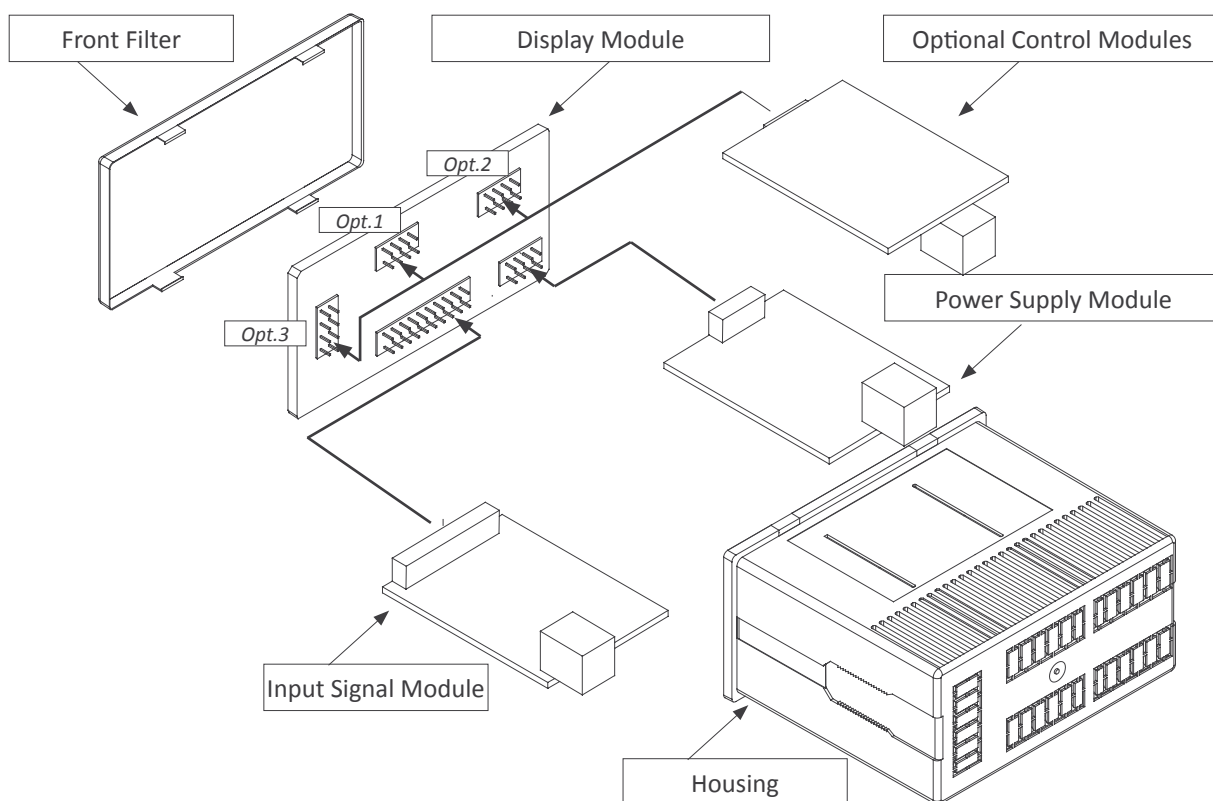
Important - If your instrument was delivered with the IP65 front seal option, accessing the inside of the instrument will permanently break the IP65 seal on the areas of clips 'A' and 'B'.



Risk of electric shock. Removing the front cover will grant access to the internal circuits. Disconnect the input signal to prevent electric shock to the operator. Operation must be performed by qualified personnel only.

1.15 Modular system

K Series panel meters are designed to create a modular system. This modular system allows for addition, replacement or substitution of any of the internal modules conforming the instrument. Below is a graphic explanation for the position of each module.



1.16 Precautions on installation



Risk of electrical shock. Instrument terminals can be connected to dangerous voltage.



Instrument protected with double isolation. No earth connection required.



Instrument conforms to CE rules and regulations.

This instrument has been designed and verified conforming to the 61010-1 CE Security Regulation, for industrial applications.

Installation of this instrument must be performed by qualified personnel only. This manual contains the appropriate information for the installation. Using the instrument in ways not specified by the manufacturer may lead to a reduction of the specified protection level. Disconnect the instrument from power before starting any maintenance and / or installation action.

The instrument does not have a general switch and will start operation as

soon as power is connected. The instrument does not have protection fuse, the fuse must be added during installation.

The instrument is designed to be panel mounted. An appropriate ventilation of the instrument must be assured. Do not expose the instrument to excess of humidity. Maintain clean by using a humid rag and do NOT use abrasive products such as alcohols, solvents, etc.

General recommendations for electrical installations apply, and for proper functionality we recommend : if possible, install the instrument far from electrical noise or magnetic field generators such as power relays, electrical motors, speed variators, ... If possible, do not install along the same conduits power cables (power, motor controllers, electrovalves, ...) together with signal and/or control cables.

Before proceeding to the power connection, verify that the voltage level available matches the power levels indicated in the label on the instrument.

In case of fire, disconnect the instrument from the power line, fire alarm according to local rules, disconnect the air conditioning, attack fire with carbonic snow, never with water.

1.17 Factory configuration

Scale	0/600 Vac
Scaling and decimal point	0/600 Vac = 0/600.0
Alarms 1,2 and 3	
Active	off (disabled)
Type	alarm as maximum
Setpoint	1000
Hysteresis	0 counts
Activation delay	0.0 seconds
Deactivation delay	0.0 seconds
Setpoint 2	off
Inverted relay	off
Locked alarms	off
Display	
Fixed digits	off
Average	off
Steps	off
Left zeros	off
Maximum memory	-1999
Minimum memory	9999
Peak&Hold	off
Tools	
'Fast access'	off
'On power-up'	
Delay	0 seconds
Key LE	no function
Password	off
Brightness	3

1.18 Warranty

This instrument is warranted against all manufacturing defects for a period of 24 MONTHS from the shipment date. This warranty does not apply in case of misuse, accident or manipulation by non-authorized personnel. In case of malfunction get in contact with your local provider to arrange for repair. Within the warranty period and after examination by the manufacturer, the unit will be repaired or substituted when found to be defective. The scope of this warranty is limited to the repair cost of the instrument, not being the manufacturer eligible for responsibility on additional damages or costs.

1.19 CE declaration of conformity

Manufacturer FEMA ELECTRÓNICA, S.A.
 Altimira 14 - Pol. Ind. Santiga
 E08210 - Barberà del Vallès
 BARCELONA - SPAIN
 www.fema.es - info@fema.es

Products K40-A

The manufacturer declares that the instruments indicated comply with the directives and rules indicated below.

Directive of electromagnetic compatibility 2004/108/CEE

Directive of low voltage 73/23/CEE

Security rules 61010-1

Instrument Fixed
 Permanently connected
 Pollution degree 1 and 2 (without condensation)
 Isolation Double
 Category CAT-III up to 300 Vac
 CAT-II up to 600 Vac

Emission rules

61000-6-4 Generic rules of emission

Immunity rules

61000-6-2 Generic rules of immunity
 61000-4-2 By contact ± 4 KV - Criteria B
 By air ± 8 KV - Criteria B
 61000-4-3 Criteria A
 61000-4-4 On AC power lines : ± 2 KV - Criteria B
 On DC power lines : ± 2 KV - Criteria B
 On signal lines : ± 1 KV - Criteria B
 61000-4-5 Between AC lines ± 1 KV - Criteria B
 Between DC lines ± 0.5 KV - Criteria B
 61000-4-6 Criteria A
 61000-4-8 30 A/m a 50 Hz - Criteria A
 61000-4-11 0% 1 cycle - Criteria A
 40% 10 cycles - Criteria A
 70% 25 cycles - Criteria B
 0% 250 cycles - Criteria B

Barberà del Vallès October 2014
 Daniel Juncà - Quality Manager

2. Output and control modules

2.1 Module R1

The R1 module provides 1 relay output to K Series panel meters. Up to a maximum of 3 R1 modules can be installed in a single instrument (3 relays).

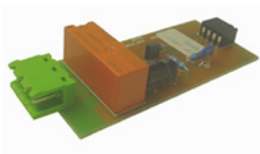
Note : for more than three relays per instrument or larger relay density per module, see special modules R2, R4 and R6 at section 2.6.

Relays with 3 contacts each (common, normally closed, normally open), with switching capability up to 250V @ 8A.

Modules R1 are configured from the 'ALr1', 'ALr2' and 'ALr3' alarm menus of the panel meter. The 'ALrX' menus provide configuration for main setpoint, hysteresis, independent activation and deactivation delays, and a second setpoint to create windowed alarms.

Modules R1 are installed on slot 'Opt.1', 'Opt.2' or 'Opt.3' (see section 1.15) and are configured from instruments front keypad.

The R1 module can be ordered pre-installed into a K Series panel meter, or standalone for delayed installation, as they do not require soldering or special configuration.



Type of relay	3 contact relay (NC, NO, common)
Current maximum	8A per relay (resistive load)
Voltage maximum*	250 Vac continuous
Type of terminal	plug-in screw terminal, pitch 5.08 mm
Slots allowed	'Opt.1', 'Opt.2', 'Opt.3' (see section 1.15)

2.2 Module AO

The AO module provides 1 analog output with 4/20 mA or 0/10 Vdc configurable output range. Output current loop configurable as active (the instrument provides the excitation for the loop) or passive (the loop is externally powered). Signal output proportional to the instruments reading. Fully configurable scaling, in direct (positive slope) or inverse (negative slope) scaling.

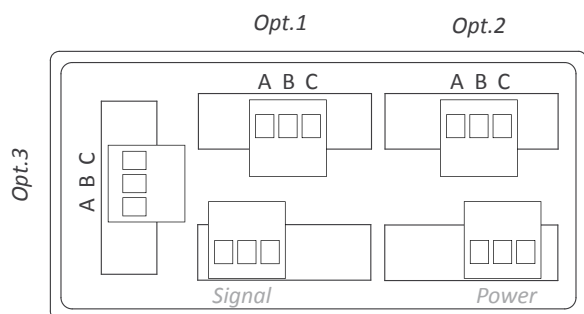
Up to a maximum of 3 analog output modules can be installed in a single instrument, all outputs isolated between them and isolated from the power and input signal circuits.

Configuration from instrument front keypad, through menu entries 'Opt.1', 'Opt.2' or 'Opt.3', depending on the position the module is installed (see section 1.15).

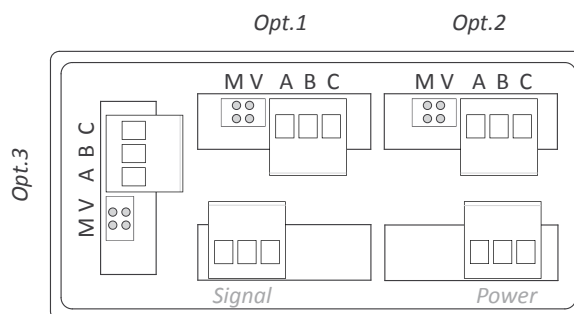
The RTU module can be ordered pre-installed into a K Series panel meter, or standalone for delayed installation, as it does not require soldering or special configuration.



Output ranges	4/20 mA active, 4/20 mA passive 0/10 Vdc
Accuracy (at 25 °C)	<0.1% FS
Isolation	1000 Vdc
Slots allowed	'Opt.1', 'Opt.2', 'Opt.3' (see section 1.15)



Terminal A	Common
Terminal B	NO - Normally Open
Terminal C	NC - Normally Closed



Terminal A	Vexc
Terminal B	Signal in mA or Vdc
Terminal C	GND
Jumper M	closed for mA
Jumper V	closed for Vdc

For more information see document 3543_SERIES-K_MODULE-R1_i.pdf

For more information see document 3541_SERIES-K_MODULE-AO_i.pdf

2.3 Module RTU

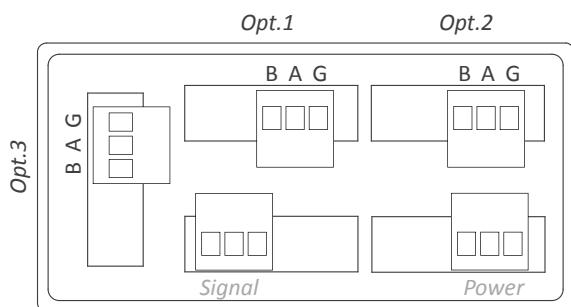
The RTU module provides a Modbus RTU communications module for K Series of panel meters. The RTU module implements function '4' ('Read Input Registers') of the Modbus RTU protocol, to access the instrument registers (reading value, alarm status, memory of maximum and minimum, ...)

Configuration from instrument front keypad, through menu entries 'Opt.1', 'Opt.2' or 'Opt.3', depending on the position the module is installed (see section 1.15).

The RTU module can be ordered pre-installed into a K Series panel meter, or standalone for delayed installation, as it does not require soldering or special configuration.



Protocol	Modbus RTU
Functions implemented	4 (Read_Input_Registers)
Bus type	RS-485, up to 57.6 Kbps
Isolation	1000Vdc
Slots allowed	'Opt.1', 'Opt.2', 'Opt.3' (see section 1.15)



Terminal B B signal from RS-485 bus
 Terminal A A signal from RS-485 bus
 Terminal G GND

For more information see document 3545_SERIES-K_MODULE-RTU_i.pdf

2.4 Module S4

The S4 module provides a RS-485 communications module for K Series of panel meters. ASCII protocol with 'Master' / 'Slave' architecture. Addressable with up to 31 modules. Frames codified in representable ASCII characters (codes 32 to 255), directly visible using 'hyperterminal' or similar programs.

- Configurable for direct retransmission to remote meter of K Series (20mm digit height) and BDF Series (60mm and 100mm digit height).

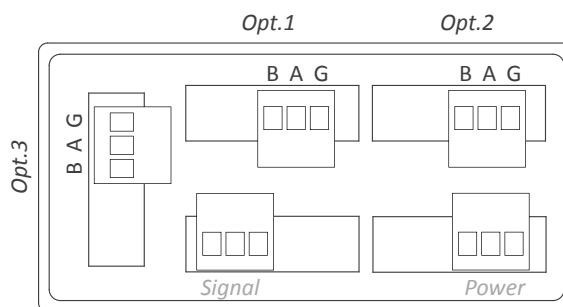
- Access to display values, alarm status, memory of maximum and minimum, alarm setpoints, ...

Configuration from instrument front keypad, through menu entries 'Opt.1', 'Opt.2' or 'Opt.3', depending on the position the module is installed (see section 1.15).

The S4 module can be ordered pre-installed into a K Series panel meter, or standalone for delayed installation, as it does not require soldering or special configuration.



Protocol	ASCII
Bus type	RS-485, up to 57.6 Kbps
Isolation	1000Vdc
Slots allowed	'Opt.1', 'Opt.2', 'Opt.3' (see section 1.15)



Terminal B B signal from RS-485 bus
 Terminal A A signal from RS-485 bus
 Terminal G GND

For more information see document 3547_SERIES-K_MODULE-S4_i.pdf

2.5 Module S2

The S2 module provides a RS-232 communications module for K Series of panel meters. ASCII protocol with 'Master' / 'Slave' architecture. Addressable with up to 31 modules. Frames codified in representable ASCII characters (codes 32 to 255), directly visible using 'hyperterminal' or similar programs.

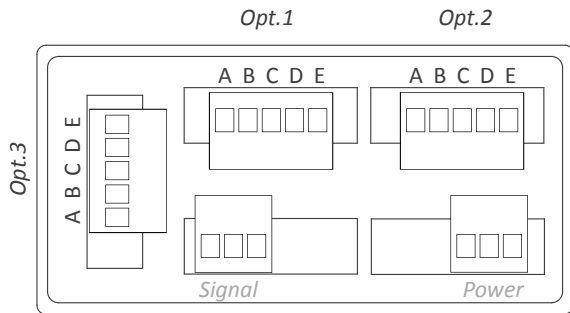
- Access to display values, alarm status, memory of maximum and minimum, alarm setpoints, ...

Configuration from instrument front keypad, through menu entries 'Opt.1', 'Opt.2' or 'Opt.3', depending on the position the module is installed (see section 1.15).

The S2 module can be ordered pre-installed into a K Series panel meter, or standalone for delayed installation, as it does not require soldering or special configuration.



Protocol	ASCII
Bus type	RS-232, up to 57.6 Kbps
Isolation	1000 Vdc
Slots allowed	'Opt.1', 'Opt.2', 'Opt.3' (see section 1.15)



Terminal A	GND
Terminal B	Rx1
Terminal C	Tx1
Terminal D	Rx2
Terminal E	Tx2

2.6 Modules R2, R4, R6

The R2, R4 and R6 modules provide 2, 4 and 6 relay outputs for K Series panel meters. Relays with 3 contacts each, with switching capability up to 250 V @ 6 A.

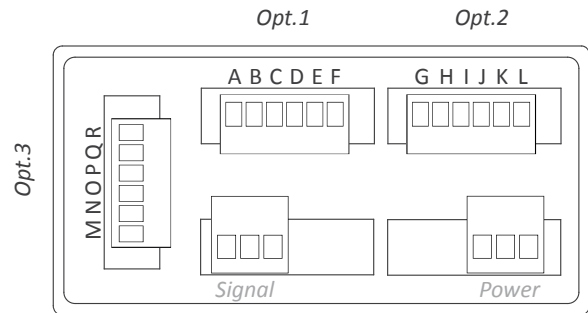
Modules R2, R4 and R6 are installed on slot 'Opt.1' (see section 1.15) and are configured from instruments front keypad, and provide set-point configuration, hysteresis, independent activation and deactivation delays, and second alarm setpoint for windowed alarms.

Only one module R2, R4 or R6 can be installed per instrument. Modules R2, R4 and R6 are not compatible with standard R1 modules.

The R2, R4 and R6 modules can be ordered pre-installed into a K Series panel meter, or standalone for delayed installation, as they do not require soldering or special configuration.



Type of relay	3 contact relay (NC, NO, common)
Current maximum	6 A per relay (resistive load)
Voltage maximum*	250 Vac continuous
Type of terminal	plug-in screw terminal, pitch 3.81 mm * terminals approved for 300 V (according to UL1059, groups B and D) and 160 V (according to VDE on CAT-III and pollution degree 3).
Module R2	occupies Opt.1
Module R4	occupies Opt.1 and Opt.2
Module R6	occupies Opt.1, Opt.2 and Opt.3



Relay	Common	Normally Open (NO)	Normally Closed (NC)
relay 1	A	B	C
relay 2	D	E	F
relay 3	G	H	I
relay 4	J	K	L
relay 5	M	N	O
relay 6	P	Q	R

Table 6 - Connections for modules R2, R4 and R6

For more information see document 3549_SERIES-K_MODULE-S2_i.pdf

For more information see document 3551_SERIES-K_MODULES-R2-R4-R6_i.pdf

This page blank

3. Other options

3.1 Option NBT

Instruments without front keypad. To configure the instrument, remove the meter from the panel and remove the front filter. Internal press buttons for configuration are accessible. Optionally, request the instrument preconfigured from factory.



3.2 Option IP65

Front IP65 protection, with sealing of front filter clips.

* opening the front filter removes the IP65 sealing permanently.



4. Accessories

4.1 THM benchtop housing

Benchtop housing for M Series and K Series panel meters. Handle with three selectable positions. Power connector with manual switch and fuse holder.



4.3 Adapter DRA-M

Adapter for DIN rail mount, for M Series and K Series panel meters.



4.2 Adapter KA96

Adapter 96x96 mm for 96x48 mm instruments.



4.4 Protector IP65

Front IP65 protector, for M Series and K Series panel meters.





Panel meters
Standard 96x48 mm



Panel meters
Miniature 48x24 mm



Signal converters



Panel meters
Compact 72x36 mm



Large format meters



Bar meters



Isolators



Low cost



'Customized'
instruments

FEMA

ELECTRÓNICA

FEMA ELECTRÓNICA, S.A.

Altimira 14 - Pol. Ind. Santiga
E08210 Barberà del Vallès
BARCELONA - SPAIN

■ Tel. +34 93.729.6004
Fax +34 93.729.6003

■ info@fema.es
www.fema.es

