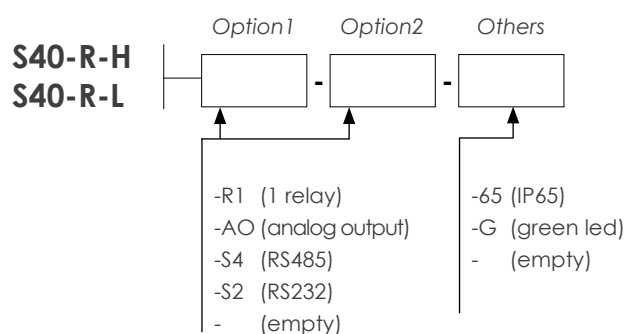


# S40-R Ratiometric meter

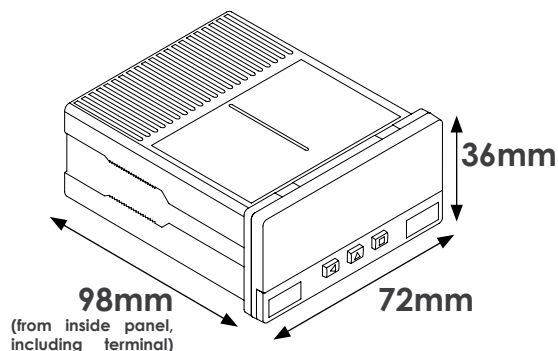
Potentiometer and ratiometric meter in 72x36mm size for panel mount. Provides excitation voltage for the sensor. Segment linearization. Universal high and low AC and DC power options. Optional up to 2 relay outputs, analog outputs and serial outputs.



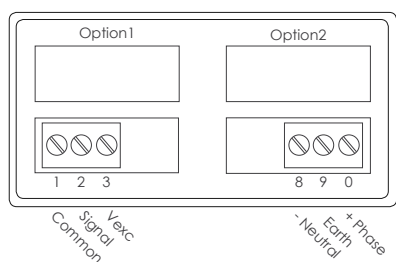
## Order reference



## Dimensions



## Connections



## Technical specifications

Digits	4
Reading	9999/-1999
Led color	red (optional green)
Digit height	14 mm
Signal ranges	potentiometers from 200R up to 5M ratiometric signals
Excitation voltage	+5Vdc, max. 35mA
Accuracy	0.15% F.S. ±1 count
Offset drift	10 ppm/°C
Span drift*	35 ppm/°C
*span drift includes offset drift	
Readings	5 readings / second
Refresh	5 refresh / second
Response time	<200mSec. (0% to 99% signal)
Input impedance	932K
Power 'H'	85 to 265 Vac/dc (isolated 3500Veff)
Power 'L'	11 to 60 Vdc and 24/48 Vac (isolated 2000Veff)
Consumption	<4W
Protection	IP54 standard (optional IP65)
Connections	plug-in screw terminals
Weight	<150 grams
Mounting	panel mount
Panel cut-out	69x32.5mm

## Information on web

User's Manual

[www.fema.es/2704\\_S40-R\\_i.pdf](http://www.fema.es/2704_S40-R_i.pdf)

## Panel meters from Series S

	Model							
	S40-CR	S40-C1	S40-F	S40-R	S40-D	S40-A	S40-T	S40-P
<b>Signals accepted</b>								
Process $\pm 20\text{mA}$ , $\pm 10\text{Vdc}$								•
Pt100 / RTD							•	
Thermocouples J, K, T, E, S, R, N, C, L, X							•	
Voltmeter AC						•		
Ammeter AC						•		
Voltmeter DC					•			
Ammeter DC					•			
Potentiometers				•				
Frequencymeter up to 500 VAC			•					
Impulse counter		•						
Ratometer		•						
Periodmeter		•						
Chronometer	•							
Time counter	•							

## Common specifications Series S

Format	72x36mm
Digits	4 digits
Configuration	by menu
Reading	scalable
Brightness	5 configurable levels
Filters	display and signal filters
Alarms	1 and 2 alarms (with option R1) 4 alarms (with options R4)
Additional functions	maximum and minimum memory password signal autocorrection Peak & Hold alarms with double setpoints
Outputs	relay, analog, serial RS232, serial RS485

## More options



Green leds



Adapter 72x72mm

## Other series



Series M - 96x48mm