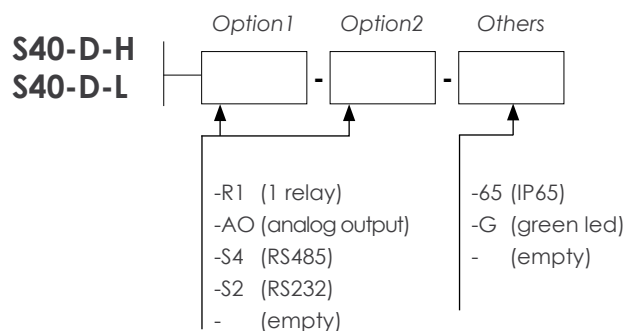


S40-D Voltmeter Ammeter DC

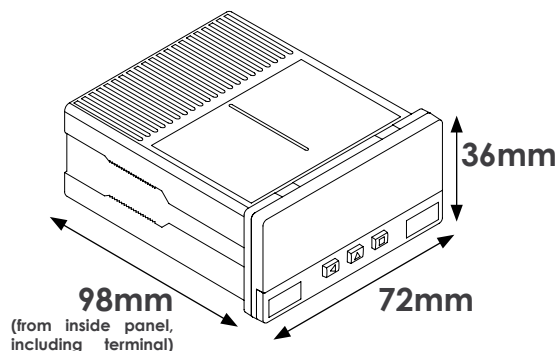
DC voltmeter and DC ammeter in 72x36mm size for panel mount. Accepts signal ranges $\pm 600\text{Vdc}$, $\pm 100\text{Vdc}$, $\pm 10\text{Vdc}$, $\pm 1\text{Vdc}$, $\pm 0.1\text{Vdc}$, $\pm 5\text{Adc}$ y $\pm 1\text{Adc}$. Universal high and low AC and DC power options. Optional up to 2 relay outputs, analog outputs and serial outputs.



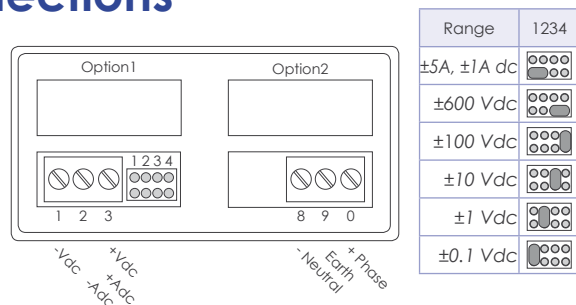
Order reference



Dimensions



Connections



Technical specifications

Digits	4
Reading	9999/-1999
Led color	red (optional green)
Digit height	14 mm
Signal ranges	$\pm 600\text{Vdc}$, $\pm 100\text{Vdc}$, $\pm 10\text{Vdc}$, $\pm 1\text{Vdc}$, $\pm 0.1\text{Vdc}$ $\pm 5\text{Adc}$, $\pm 1\text{Adc}$
Accuracy	0.10% FS for Vdc 0.15% FS for Adc
Offset drift	50 ppm/°C
Span drift*	100 ppm/°C
*span drift includes offset drift	
Readings	15 readings / second
Refresh	15 refresh / second
Response time	<210mSec. (0% to 99% signal) <75mSec. (for changes <10% FS)
Input impedance	see table
Maximum overvoltage	see table

Scale	Zin	Max. signal permanent
$\pm 600\text{Vdc}$	20 M Ω	1500 Vdc
$\pm 100\text{Vdc}$	2 M Ω	200 Vdc
$\pm 10\text{Vdc}$	200 K	200 Vdc
$\pm 1\text{Vdc}$	20 K	65 Vdc
$\pm 0.1\text{Vdc}$	2 K	4.5 Vdc
$\pm 5\text{Adc}$	20 m Ω	16 Adc (5 sec.)
$\pm 1\text{Adc}$	20 m Ω	16 Adc (5 sec.)

Power 'H'	85 to 265 Vac/dc (isolated 3500Veff)
Power 'L'	11 to 60 Vdc and 24/48 Vac (isolated 2000Veff)
Consumption	<4W
Protection	IP54 standard (optional IP65)
Connections	plug-in screw terminals
Weight	<150 grams
Mounting	panel mount
Panel cut-out	69x32.5mm

Information on web

User's Manual www.fema.es/1542_S40-D_i.pdf

Panel meters from Series S

	Model							
	S40-CR	S40-C1	S40-F	S40-R	S40-D	S40-A	S40-T	S40-P
Signals accepted								
Process $\pm 20\text{mA}$, $\pm 10\text{Vdc}$								•
Pt100 / RTD							•	
Thermocouples J, K, T, E, S, R, N, C, L, X							•	
Voltmeter AC						•		
Ammeter AC						•		
Voltmeter DC					•			
Ammeter DC					•			
Potentiometers				•				
Frequencymeter up to 500 VAC			•					
Impulse counter		•						
Ratometer		•						
Periodmeter		•						
Chronometer	•							
Time counter	•							

Common specifications Series S

Format	72x36mm
Digits	4 digits
Configuration	by menu
Reading	scalable
Brightness	5 configurable levels
Filters	display and signal filters
Alarms	1 and 2 alarms (with option R1) 4 alarms (with options R4)
Additional functions	maximum and minimum memory password signal autocorrection Peak & Hold alarms with double setpoints
Outputs	relay, analog, serial RS232, serial RS485

More options



Green leds



Adapter 72x72mm

Other series



Series M - 96x48mm