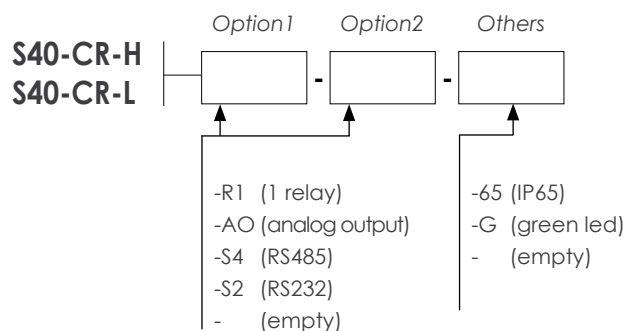


S40-CR Time counter

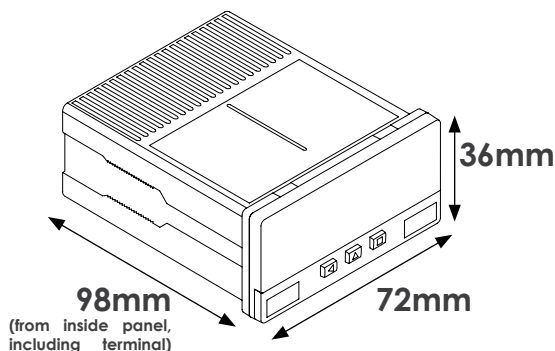
Chronometer and time counter in 72x36mm size for panel mount. Reading in sexagesimal format or decimal format. Up or down counter. Universal high and low AC and DC power options. Optional up to 2 relay outputs, analog outputs and serial outputs.



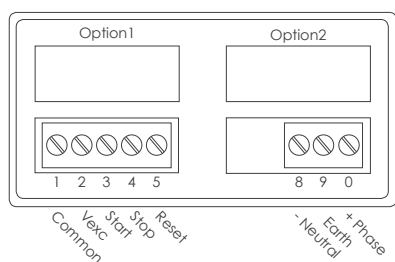
Order reference



Dimensions



Connections



Technical specifications

Digits 4
Reading 99.99/-19.99

Reading formats in sexagesimal mode		
<i>mm.ss</i>	<i>hh.mm</i>	<i>dd.hh</i>
Reading formats in decimal mode		
<i>ssss</i>	<i>mmmm</i>	<i>hhhh</i>
<i>sss.s</i>	<i>mmm.m</i>	<i>hhh.h</i>
<i>ss.ss</i>	<i>mm.mm</i>	<i>hh.hh</i>

* d=days, h=hours, m=minutes, s=seconds, c=cents of second

Led color	red (optional green)
Digit height	14 mm
Function	up or down time counter
Controls	start, stop, reset
Default control	mechanical contact
Accepted controls	push-pull, NPN, PNP, pick-up, inductive, ...
Excitation voltage	5V, 9V, 15V and 18V (max. 70mA)
Accuracy	100ppm
Refresh	12 refresh / second
Max. input signal	±30Vdc
Reset	front, rear or 'alarm controled'
Counting memory	maintains memory on power loss
Power 'H'	85 to 265 Vac/dc (isolated 3500Veff)
Power 'L'	11 to 60 Vdc and 24/48 Vac (isolated 2000Veff)
Consumption	<4W
Protection	IP54 standard (optional IP65)
Connections	plug-in screw terminals
Weight	<150 grams
Mounting	panel mount
Panel cut-out	69x32.5mm

Information on web

User's Manual

www.fema.es/3216_S40-CR_i.pdf

Panel meters from Series S

	Model							
	S40-CR	S40-C1	S40-F	S40-R	S40-D	S40-A	S40-T	S40-P
Signals accepted								
Process $\pm 20\text{mA}$, $\pm 10\text{Vdc}$								•
Pt100 / RTD							•	
Thermocouples J, K, T, E, S, R, N, C, L, X							•	
Voltmeter AC						•		
Ammeter AC						•		
Voltmeter DC					•			
Ammeter DC					•			
Potentiometers				•				
Frequencymeter up to 500 VAC			•					
Impulse counter		•						
Ratometer		•						
Periodmeter		•						
Chronometer	•							
Time counter	•							

Common specifications Series S

Format	72x36mm
Digits	4 digits
Configuration	by menu
Reading	scalable
Brightness	5 configurable levels
Filters	display and signal filters
Alarms	1 and 2 alarms (with option R1) 4 alarms (with options R4)
Additional functions	maximum and minimum memory password signal autocorrection Peak & Hold alarms with double setpoints
Outputs	relay, analog, serial RS232, serial RS485

More options



Green leds



Adapter 72x72mm

Other series



Series M - 96x48mm