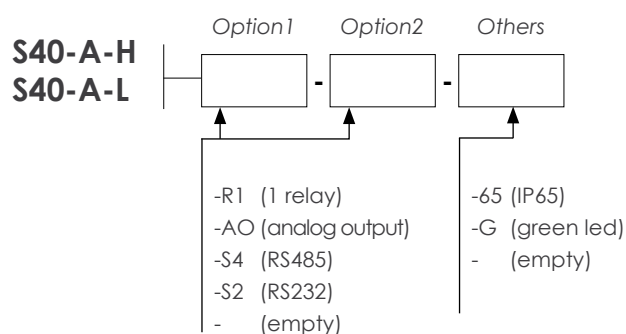


S40-A Voltmeter Ammeter AC

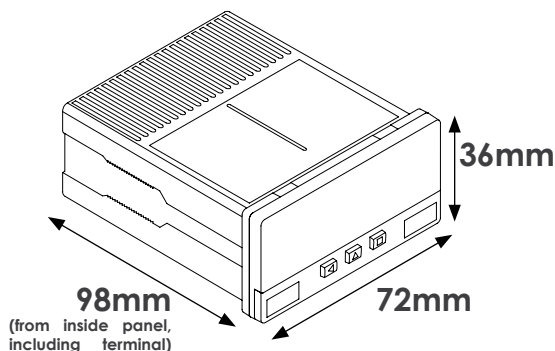
True RMS AC voltmeter and AC ammeter in 72x36mm size for panel mount. Accepts signal ranges 600Vac, 100Vac, 10Vac, 1Vac, 0.1Vac, 5Aac y 1Aac. Universal high and low AC and DC power options. Optional up to 2 relay outputs, analog outputs and serial outputs.



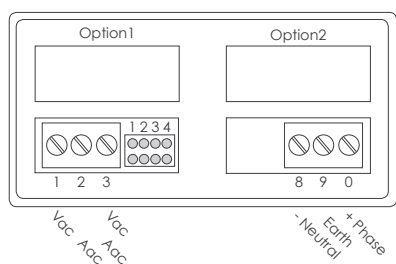
Order reference



Dimensions



Connections



Range	1234
5A, 1A ac	
600 Vac	
100 Vac	
10 Vac	
1 Vac	
0.1 Vac	

Technical specifications

Digits	4
Reading	9999/-1999
Led color	red (optional green)
Digit height	14 mm
Signal ranges	600 Vac, 100 Vac, 10 Vac, 1 Vac, 0.1 Vac 5 Aac, 1 Aac
Measure type	TrueRMS
Coupling	'AC' or 'AC+DC' (internal jumper)
Connections	phase-neutral and phase-phase
Oversignal	+20% FS
Minimum signal	0.5% FS
Readings	15 readings / second
Bandwidth	1.3 KHz in Vac, 2.0 KHz in Aac
Minimum frequency	25 Hz (± 1 count)
Crest factor	3 (factor 5 for accuracy 2.5% FS)

Scale	Accuracy %FS	Zin (at 50 Hz)	Max. signal permanent	Offset drift	Span drift*
600 Vac	0.25%	14 MOhm	1000 Vac	150 ppm/°C	200 ppm/°C
100 Vac	0.15%	2 MOhm	200 Vac	75 ppm/°C	100 ppm/°C
10 Vac	0.15%	200 K	200 Vac	75 ppm/°C	100 ppm/°C
1 Vac	0.15%	20 K	65 Vac	75 ppm/°C	100 ppm/°C
0.1 Vac	0.20%	1 K	4.5 Vac	75 ppm/°C	150 ppm/°C
5 Aac	0.20%	20 mOhm	16 Aac (5s)	75 ppm/°C	150 ppm/°C
1 Aac	0.20%	20 mOhm	16 Aac (5s)	75 ppm/°C	150 ppm/°C

*Span drift includes offset drift

Power 'H'	85 to 265 Vac/dc (isolated 3500Veff)
Power 'L'	11 to 60 Vdc and 24/48 Vac (isolated 2000Veff)
Consumption	<4W
Protection	IP54 standard (optional IP65)
Connections	plug-in screw terminals
Weight	<150 grams
Mounting	panel mount
Panel cut-out	69x32.5mm

Information on web

User's Manual www.fema.es/1575_S40-A_i.pdf

Panel meters from Series S

	Model							
	S40-CR	S40-C1	S40-F	S40-R	S40-D	S40-A	S40-T	S40-P
Signals accepted								
Process $\pm 20\text{mA}$, $\pm 10\text{Vdc}$								•
Pt100 / RTD							•	
Thermocouples J, K, T, E, S, R, N, C, L, X							•	
Voltmeter AC						•		
Ammeter AC						•		
Voltmeter DC					•			
Ammeter DC					•			
Potentiometers				•				
Frequencymeter up to 500 VAC			•					
Impulse counter		•						
Ratometer		•						
Periodmeter		•						
Chronometer	•							
Time counter	•							

Common specifications Series S

Format	72x36mm
Digits	4 digits
Configuration	by menu
Reading	scalable
Brightness	5 configurable levels
Filters	display and signal filters
Alarms	1 and 2 alarms (with option R1) 4 alarms (with options R4)
Additional functions	maximum and minimum memory password signal autocorrection Peak & Hold alarms with double setpoints
Outputs	relay, analog, serial RS232, serial RS485

More options



Green leds



Adapter 72x72mm

Other series



Series M - 96x48mm