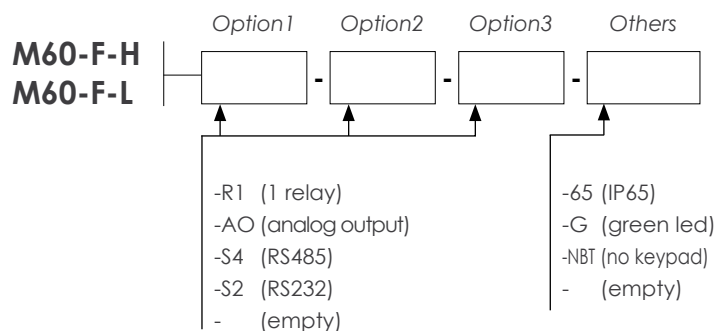


# M60-F Frequencymeter

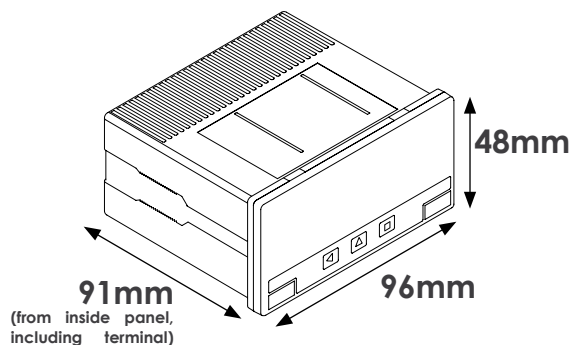
Frequencymeter and periodmeter in 96x48mm size for panel mount, accepts signals from 1mHz to 900Khz, and up to 500Vac. Scalable reading. Universal high and low AC and DC power options. Optional up to 3 relay outputs, analog outputs and serial outputs.



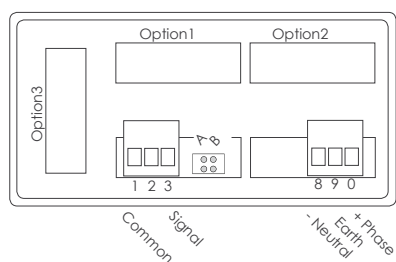
## Order reference



## Dimensions



## Connections



Coupling	AB
AC+DC (max. 30Vp)	
AC (max 30Vp)	
AC+DC (max. 500V)	

## Technical specifications

Digits	6
Reading	999999/-199999
Led color	red (optional green)
Digit height	14 mm
Function	frequencymeter, periodmeter
Maximum frequency	900KHz
Minimum frequency	1mHz
Max. input voltage	500Vac
Coupling	'AC' or 'AC+DC'
Accuracy	0.05%
Thermal drift	20 ppm/°C
Refresh	15 refresh / second
Input impedance	470K
Power 'H'	85 to 265 Vac/dc (isolated 2500Veff)
Power 'L'	11 to 60 Vdc and 24/48 Vac (isolated 1500Veff)
Consumption	<4W
Protection	IP54 standard (optional IP65)
Connections	plug-in screw terminals
Weight	<150 grams
Mounting	panel mount
Panel cut-out	92x44mm

## Information on web

User's Manual      [www.fema.es/2799\\_M60-F\\_i.pdf](http://www.fema.es/2799_M60-F_i.pdf)

## Panel meters from Series M

	Model							
	M60-CR	M60-CI	M60-F	M40-R	M40-D	M40-A	M40-T	M40-P
Signals accepted								
Process $\pm 20\text{mA}$ , $\pm 10\text{Vdc}$								•
Pt100 / RTD							•	
Thermocouples J, K, T, E, S, R, N, C, L, X							•	
Voltmeter AC						•		
Ammeter AC						•		
Voltmeter DC					•			
Ammeter DC					•			
Potentiometers				•				
Frequencymeter up to 500 VAC			•					
Impulse counter		•						
Ratometer		•						
Periodmeter		•						
Chronometer	•							
Time counter	•							

## Common specifications Series M

Format	96x48mm
Digits	4, 5 or 6 digits
Configuration	by menu
Reading	scalable
Brightness	5 configurable levels
Filters	display and signal filters
Alarms	1, 2 and 3 alarms (with option R1) 4 and 6 alarms (with options R4 and R6)
Additional functions	maximum and minimum memory password signal autocorrection Peak & Hold alarms with double setpoints
Outputs	relay, analog, serial RS232, serial RS485

## More options



Without keypad



DIN rail mount



Green leds



Benchtop housing



Adapter 96x96mm