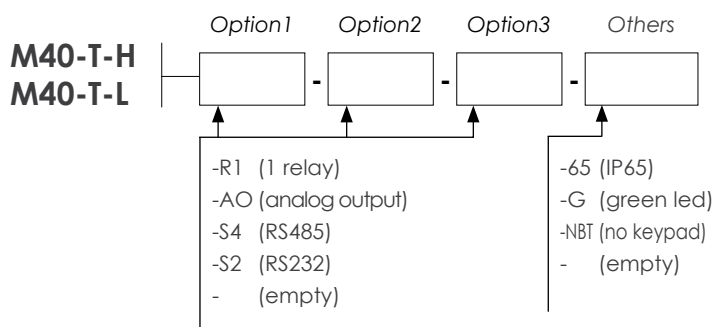


M40-T Temperature meter

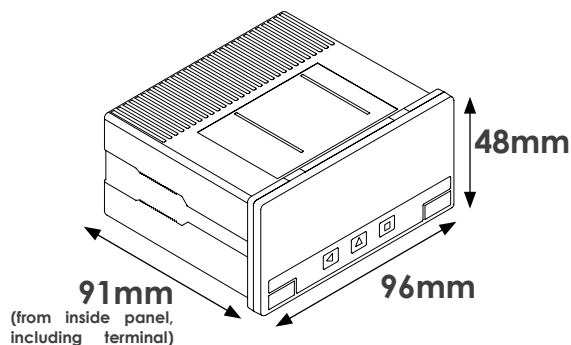
Temperature meter in 96x48mm size for panel mount, reads Pt100 / RTD probes and thermocouples J, K, T, E, S, R, N, C, L and X. Reading selectable in °C or °F. Universal high and low AC and DC power options. Optional up to 3 relay outputs, analog outputs and serial outputs.



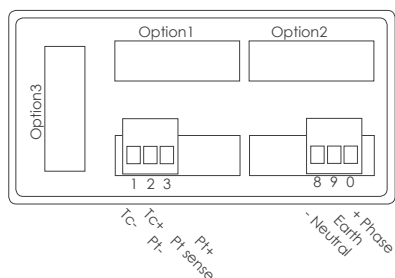
Order reference



Dimensions



Connections



Technical specifications

Digits	4
Led color	red (optional green)
Digit height	14 mm
Temperature scale	ITS90
Units	°C and °F
Pt100 / RTD probes	2 and 3 wires
Resolution	1° / 0.1°
Alpha	385 / 390
Readings	4 readings / second
Thermocouples	J, K, T, E, S, R, N, C and X
Resolution	1°
C.JC	automatic, selectable
Readings	3 readings / second

Sensor	Range °C	Error (25°C)	Offset drift	Span drift*	Range °F
Pt100/RTD	800/-200	0.2°C	0.05°/°C	0.10°/°C	1562/-328
Thermocouple J	1200/-200	<2°C	0.05°/°C	0.20°/°C	2192/-328
Thermocouple K	1372/-200	<2°C	0.05°/°C	0.20°/°C	2372/-328
Thermocouple T	400/-200	<2°C	0.02°/°C	0.02°/°C	752/-328
Thermocouple E	1000/-200	<2°C	0.05°/°C	0.20°/°C	1832/-328
Thermocouple S	1768/-50	<4°C	0.20°/°C	0.20°/°C	2282/-58
Thermocouple R	1600/-50	<4°C	0.20°/°C	0.20°/°C	2912/-58
Thermocouple N	1300/200	<2°C	0.05°/°C	0.20°/°C	2372/-328
Thermocouple C	2320/0	<2°C	0.02°/°C	0.02°/°C	4192/32
Thermocouple L	900/-200	<2°C	0.05°/°C	0.20°/°C	1652/-328
Thermocouple X	4000/-200	<2°C	0.02°/°C	0.02°/°C	7232/-328

*Span drift includes offset drift

Power 'H'	85 to 265 Vac/dc (isolated 2500Veff)
Power 'L'	11 to 60 Vdc and 24/48 Vac (isolated 1500Veff)
Consumption	<4W
Protection	IP54 standard (optional IP65)
Connections	plug-in screw terminals
Weight	<150 grams
Mounting	panel mount
Panel cut-out	92x44mm

Information on web

User's Manual www.fema.es/2185_M40-T_i.pdf

Panel meters from Series M

	Model							
	M60-CR	M60-CI	M60-F	M40-R	M40-D	M40-A	M40-T	M40-P
Signals accepted								
Process $\pm 20\text{mA}$, $\pm 10\text{Vdc}$								•
Pt100 / RTD							•	
Thermocouples J, K, T, E, S, R, N, C, L, X							•	
Voltmeter AC						•		
Ammeter AC						•		
Voltmeter DC					•			
Ammeter DC					•			
Potentiometers				•				
Frequencymeter up to 500 VAC			•					
Impulse counter		•						
Ratometer		•						
Periodmeter		•						
Chronometer	•							
Time counter	•							

Common specifications Series M

Format	96x48mm
Digits	4, 5 or 6 digits
Configuration	by menu
Reading	scalable
Brightness	5 configurable levels
Filters	display and signal filters
Alarms	1, 2 and 3 alarms (with option R1) 4 and 6 alarms (with options R4 and R6)
Additional functions	maximum and minimum memory password signal autocorrection Peak & Hold alarms with double setpoints
Outputs	relay, analog, serial RS232, serial RS485

More options



Without keypad



DIN rail mount



Green leds



Benchtop housing



Adapter 96x96mm