

Device handbook

SINEAX DM5S

Operating Instructions SINEAX DM5S

172 255-02

11/2013



Camille Bauer AG
Aargauerstrasse 7
CH-5610 Wohlen / Switzerland
Phone: +41 56 618 21 11
Telefax: +41 56 618 35 35
e-Mail: info@camillebauer.com
<http://www.camillebauer.com>

 **CAMILLE BAUER**
Rely on us.

Legal information

Warning notices

In this document warning notices are used, which you have to observe to ensure personal safety and to prevent damage to property. Depending on the degree of danger the following symbols are used:



If the warning notice is not followed death or severe personal injury **will** result.



If the warning notice is not followed damage to property or severe personal injury **may** result.



If the warning notice is not followed the device **may** be damaged or **may** not fulfill the expected functionality.

Qualified personnel

The product described in this document may be handled by personnel only, which is qualified for the respective task. Qualified personnel have the training and experience to identify risks and potential hazards when working with the product. Qualified personnel are also able to understand and follow the given safety and warning notices.

Intended use

The product described in this document may be used only for the application specified. The maximum electrical supply data and ambient conditions specified in the technical data section must be adhered. For the perfect and safe operation of the device proper transport and storage as well as professional assembly, installation, handling and maintenance are required.

Disclaimer of liability

The content of this document has been reviewed to ensure correctness. Nevertheless it may contain errors or inconsistencies and we cannot guarantee completeness and correctness. This is especially true for different language versions of this document. This document is regularly reviewed and updated. Necessary corrections will be included in subsequent version and are available via our webpage <http://www.camillebauer.com>.

Feedback

If you detect errors in this document or if there is necessary information missing, please inform us via e-mail to: customer-support@camillebauer.com

Contents

1. Introduction	4
1.1 Purpose of this document.....	4
1.2 Scope of supply.....	4
1.3 Further documents	4
2. Security notes.....	5
3. Device overview.....	5
3.1 Brief description.....	5
3.2 Possible modes of operation	6
3.3 Free Modbus image	7
4. Mechanical mounting.....	8
5. Electrical connections	9
5.1 General safety notes	9
5.2 Current connections	10
5.3 Possible cross sections and tightening torques	10
5.4 Inputs	11
5.5 Power supply.....	23
5.6 Analog outputs	23
5.7 Modbus interface RS485	23
5.8 USB configuration interface	24
6. Commissioning.....	25
6.1 Software installation CB-Manager	25
6.2 Parametrization of the device functionality.....	26
6.3 Installation check.....	27
6.4 Protection against device data changing	27
6.5 LED functionality	28
7. Service, maintenance and disposal.....	29
7.1 Protection of data integrity.....	29
7.2 Calibration and new adjustment	29
7.3 Cleaning.....	29
7.4 Disposal	29
8. Technical data	30
Annex.....	33
A Description of measured quantities.....	33
A1 Basic measurements.....	33
A2 Meters	34
B Declaration of conformity	35
B1 CE conformity.....	35
B2 FCC statement	36
INDEX.....	37

1. Introduction

1.1 Purpose of this document

This document describes the universal measurement device for heavy-current quantities DM5S. It is intended to be used by:

- Installation personnel and commissioning engineers
- Service and maintenance personnel
- Planners

Scope

This handbook is valid for all hardware versions of the DM5S. Some of the functions described in this document are available only, if the necessary optional components are included in the device.

Required knowledge

A general knowledge in the field of electrical engineering is required. For assembly and installation of the device knowledge of applicable national safety regulations and installation standard is required.

1.2 Scope of supply



- Measurement device SINEAX DM5S
- Safety instructions (multiple languages)

1.3 Further documents

On the CD supplied with the device the following documents about the DM5S are provided:

- Safety instructions DM5S
- Data sheet DM5S
- Modbus basics: General description of the communication protocol
- Modbus interface DM5S: Register description of Modbus/RTU communication via RS-485

2. Security notes

		Device may only be disposed in a professional manner !
---	---	--

The installation and commissioning should only be carried out by trained personnel.

Check the following points before commissioning:

- that the maximum values for all the connections are not exceeded, see "Technical data" section,
- that the connection wires are not damaged, and that they are not live during wiring,
- that the power flow direction and the phase rotation are correct.

The instrument must be taken out of service if safe operation is no longer possible (e.g. visible damage). In this case, all the connections must be switched off. The instrument must be returned to the factory or to an authorized service dealer.

It is forbidden to open the housing and to make modifications to the instrument. The instrument is not equipped with an integrated circuit breaker. During installation check that a labeled switch is installed and that it can easily be reached by the operators.

Unauthorized repair or alteration of the unit invalidates the warranty.

3. Device overview

3.1 Brief description

The SINEAX DM5S is the first device of the new DM5 series of free-programmable universal measurement devices for heavy-current systems: A classical high-accuracy transducer, suited for monitoring tasks and retrofit applications in energy distribution and industry.

The device can be adapted fast and easily to the measurement task by means of the CB-Manager software – even if there is no auxiliary power available. Depending on the device version measured quantities can be mapped proportional to analog DC current outputs and / or to Modbus.

The measurement is done uninterrupted in all four quadrants and can be adapted optimally to the system to be monitored. Both the average time of the measurement and the expected maximum signal level can be configured.

3.3 Free Modbus image

Accessing measured data of a Modbus device often needs some special effort, if the interesting measurements are stored in different, non continuous register areas. This way multiple telegrams must be sent to the device to read all data. This needs time and it's very likely, that the measurements don't originate from the same measurement cycle.

A free assembly of the data to read helps a lot. The DM5S supports, along with the still available classical Modbus image, the facility to assemble an image, which may be read with one telegram only. This freely assembled image is refreshed after each measurement cycle and therefore always provides the most present values.

The free float image

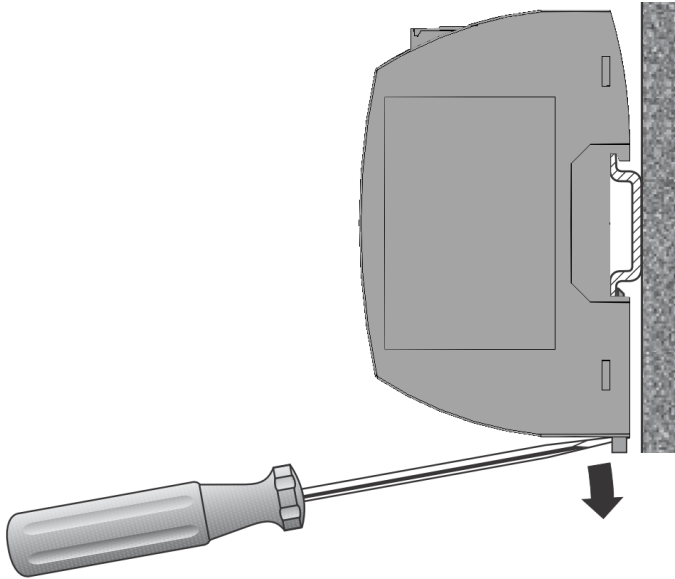
Up to 60 instantaneous values may be arranged in any sequence on the register addresses 40700-40819. All of these values are floating point numbers, which allocate 2 registers per value. Meter values are not possible because they have another format.

The Modbus communication of the DM5S is described in a separate document. This document can be found on the software CD or can be downloaded via our homepage <http://www.camillebauer.com>.

► **W172 445: Modbus/RTU interface DM5S** (communication interface RS485)

4. Mechanical mounting

The standard version of the DM5S can be clipped onto a top-hat rail according to EN50022.



Please ensure that the operating temperature limits are not exceeded when determining the place of mounting (place of measurement):

-10 ... 55°C

5. Electrical connections



Ensure under all circumstances that the leads are free of potential when connecting them !

5.1 General safety notes



Please observe that the data on the type plate must be adhered to !

The national provisions (e.g. in Germany VDE 0100 "Conditions concerning the erection of heavy current facilities with rated voltages below 1000 V") have to be observed in the installation and material selection of electric lines!

I1	1 (k)	3 (l)	I2	4(k)	6(l)	I3	7(k)	9(l)		
5A, 50/60Hz, CATIII										
RS 485			±0...20mA			±0...20mA				
GND	-	+	+ A	-	+ B	-	+ C	-	+ D	-
X	B	A	15	16	17	18	19	20	21	22
SINEAX DM5S										
DM5S-0111 1400										
CAMILLE BAUER										
Ord.: 000/123456/123/001										
Man: 13 / 22										
400VLN / 693VLL 50/60Hz, CATIII						24-230V=		8 VA		
L1	L2	L3	N			100-230V~ 50/60Hz				
2	5	8	11			→		13	14	⚡

Nameplate of a device equipped with RS485 interface and 4 analog outputs

Symbol	Meaning
	Device may only be disposed of in a professional manner!
	Double insulation, device of protection class 2
	CE conformity mark. The device fulfills the requirements of the applicable EC directives. See declaration of conformity .
	Caution! General hazard point. Read the operating instructions.
	General symbol: Input
	General symbol: Output
	General symbol: Power supply
CAT III	Measurement category CAT III for current and voltage inputs
CAT II	Measurement category CAT II for relay outputs

5.2 Current connections


You have to remove first the plug-in terminals to get access to the screw terminals of the current inputs.



5.3 Possible cross sections and tightening torques

I1 1 (k) 3 (l)			I2 4 (k) 6 (l)			I3 7 (k) 9 (l)		
5A, 50/60Hz, CATIII								
RS 485			±0...20mA			±0...20mA		
GND	-	+	+ A -	+ B -	+ C -	+ D -		
X	B	A	15	16	17	18	19	20
							21	22

SINEAX DM5S
DM5S-0111 1400

 **CAMILLE BAUER**

Ord.: 000/123456/123/001
Man: 13 / 22

400VLN / 693VLL 50/60Hz, CATIII				24-230V= 8 VA	
L1	L2	L3	N	100-230V~, 50/60Hz	
2	5	8	11	→O≈ 13	14
					⚡

Inputs L1, L2, L3, N, I1 k-l, I2 k-l, I3 k-l

Power supply 13-14

Single wire

1 x 0,5 ... 6,0mm² or 2 x 0,5 ... 2,5mm²

Multiwire with end splices

1 x 0,5 ... 4,0mm² or 2 x 0,5 ... 2,5mm²

Tightening torque

0,5...0,6Nm resp. 4,42...5,31 lbf in

Analog outputs 15,16,17,18,19,20,21,22

RS485 X, B, A

Single wire

1 x 0,5 ... 2,5mm² or 2 x 0,5 ... 1,0mm²

Multiwire with end splices

1 x 0,5 ... 2,5mm² or 2 x 0,5 ... 1,5mm²

Tightening torque

max. 0,5 Nm resp. 4,42 lbf in

5.4 Inputs



All voltage measurement inputs must originate at circuit breakers or fuses rated 10 Amps or less. This does not apply to the neutral connector. You have to provide a method for manually removing power from the device, such as a clearly labeled circuit breaker or a fused disconnect switch.

When using **voltage transformers** you have to ensure that their secondary connections never will be short-circuited.



No fuse may be connected upstream of the **current measurement inputs** !

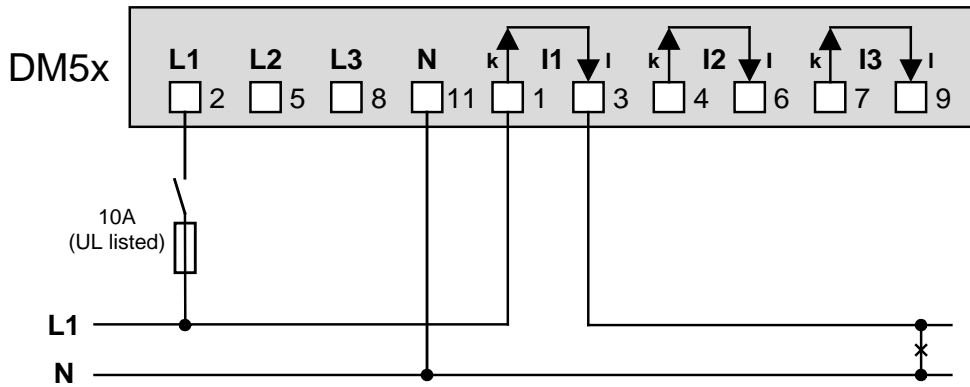
When using **current transformers** their secondary connectors must be short-circuited during installation and before removing the device. Never open the secondary circuit under load.

The connection of the inputs depends on the configured system (connection type). Depending on the hardware version ordered some systems may not be available.

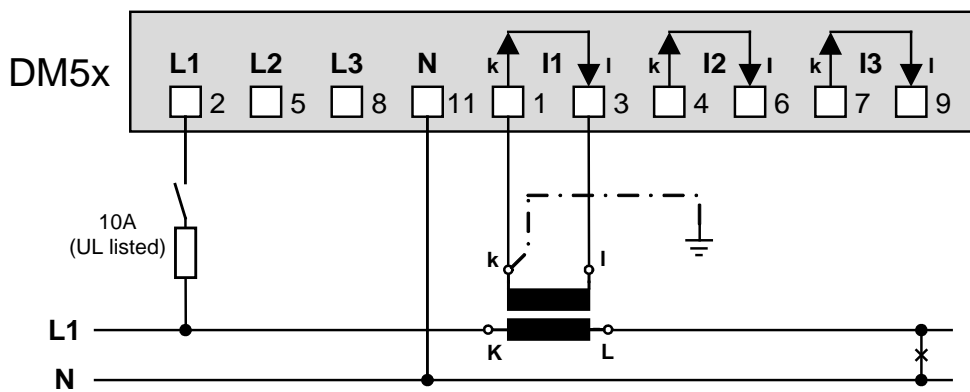
System	DM5S-x 1 xx xxxx	DM5S- x 2 xx xxxx	DM5S- x 3 xx xxxx
Single phase system	●	●	●
Split phase (2 phase system)	●	-	-
3-wire, balanced load, phase-shift	●	●	-
3-wire, balanced load	●	●	-
3-wire, unbalanced load	●	-	-
3-wire, unbalanced load, Aron	●	-	-
4-wire, balanced load	●	●	●
4-wire, unbalanced load	●	-	-
4-wire, unbalanced load, Open-Y	●	-	-

Single-phase AC mains

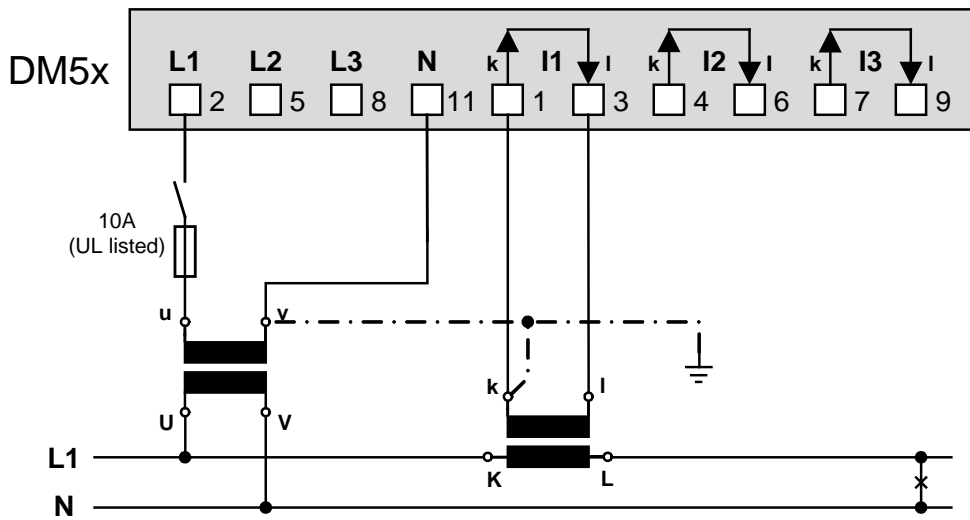
- Direct connection



- With current transformer

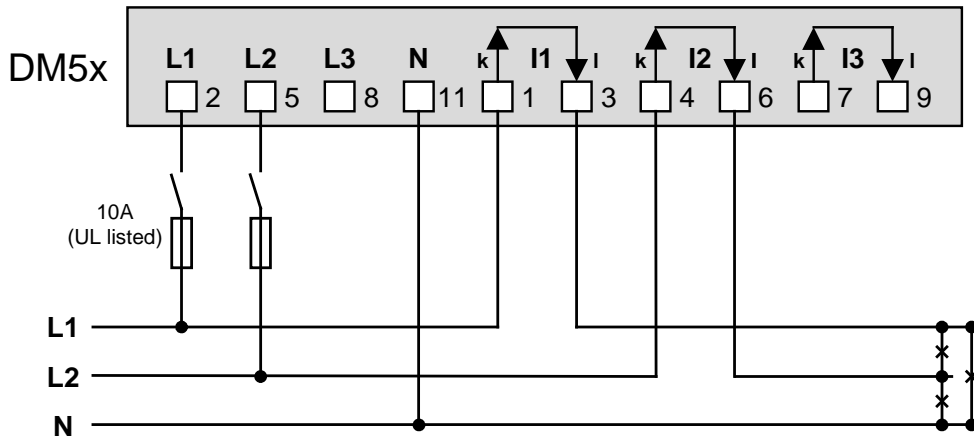


- With current and voltage transformer

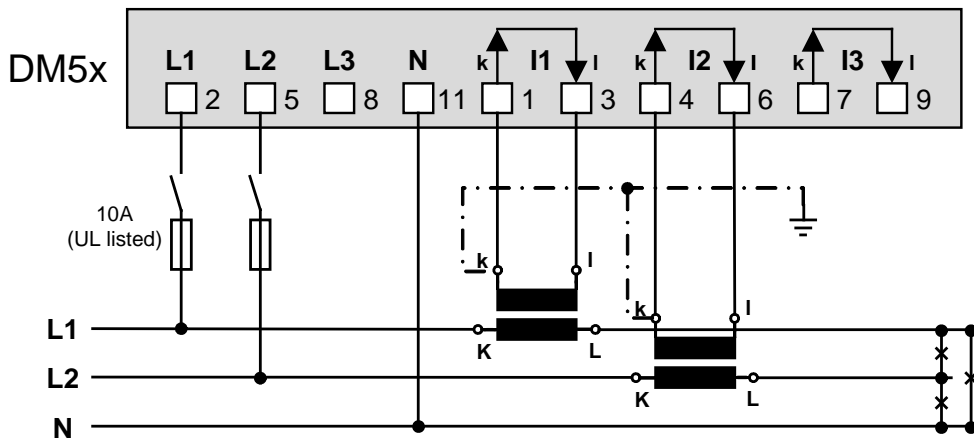


Split-phase ("two phase system"), unbalanced load

- Direct connection

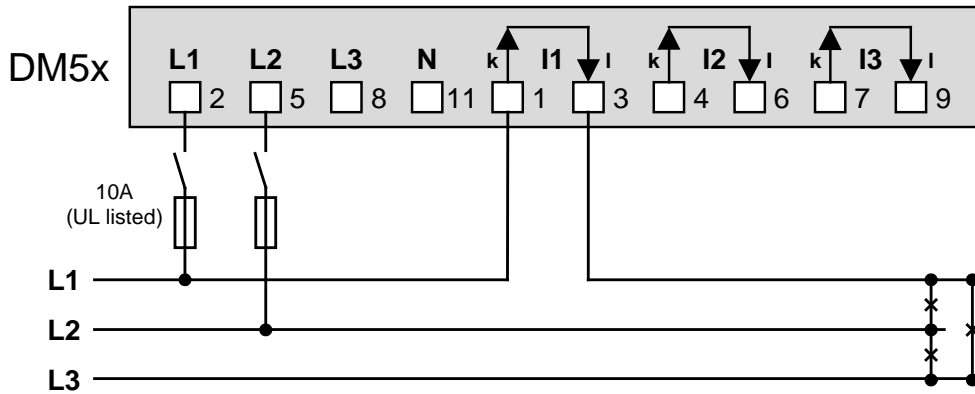


- With current transformer

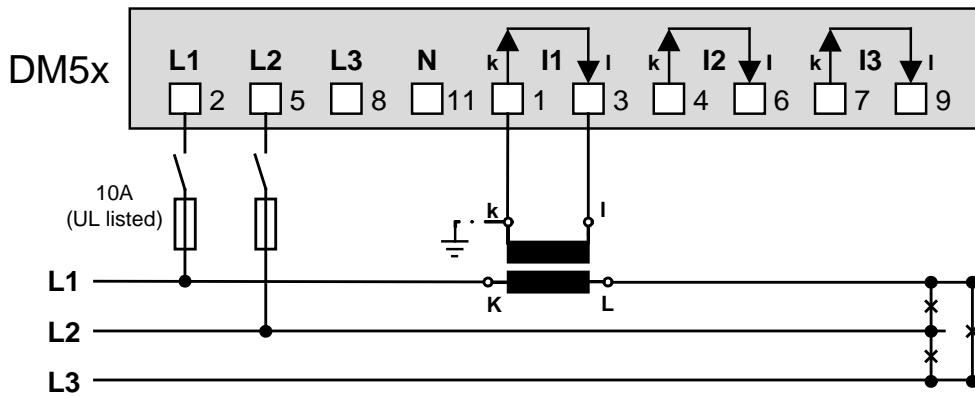


**Three wire system, balanced load, phase-shift
current measurement L1, voltage measurement L1-L2**

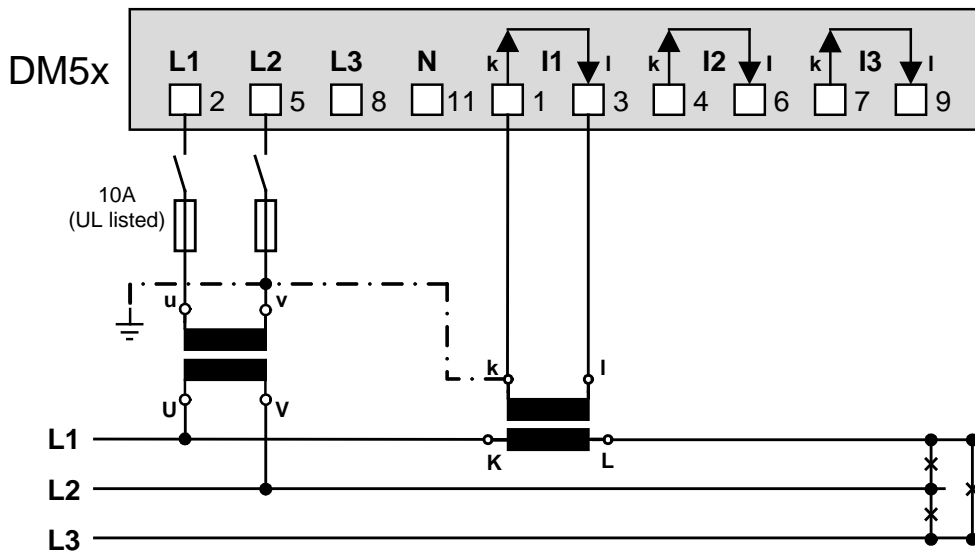
- Direct connection



- With current transformer



- With current and voltage transformer

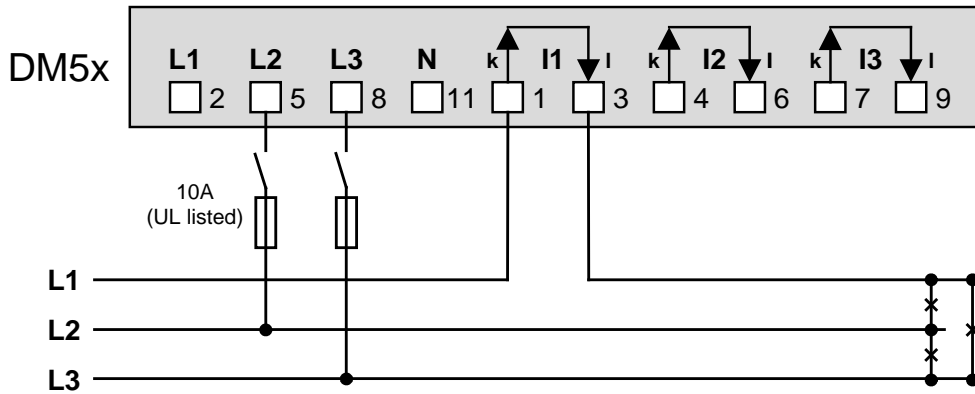


In case of current measurement via L2 or L3 connect voltages according to the following table:

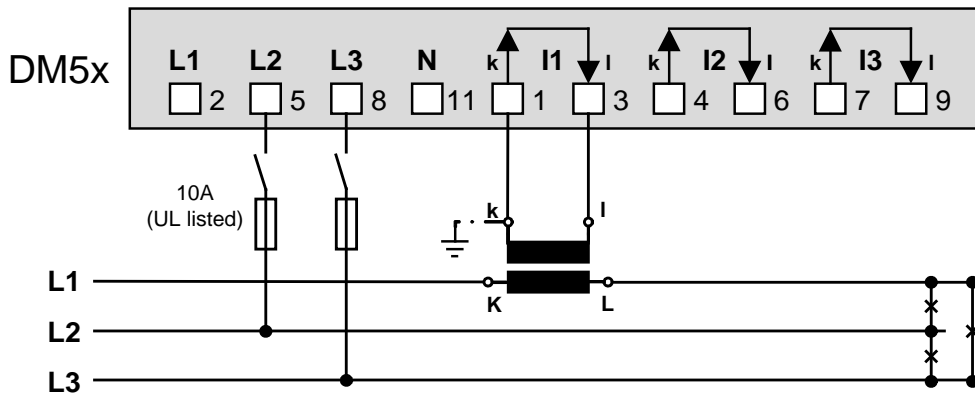
Current	Terminals		L1	L2
L2	I1-k	I1-I	L2	L3
L3	I1-k	I1-I	L3	L1

**Three wire system, balanced load, phase-shift
current measurement L1, voltage measurement L2-L3**

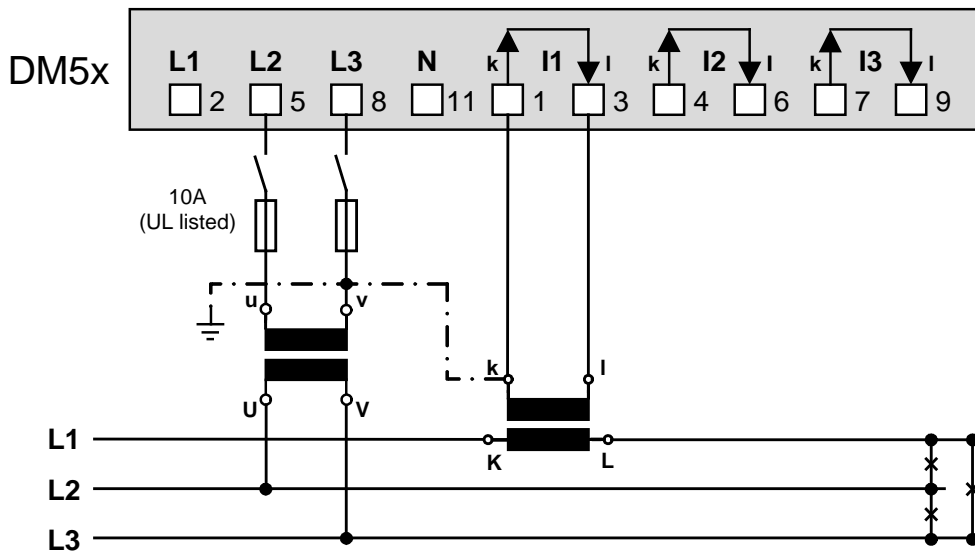
- Direct connection



- With current transformer



- With current and voltage transformer

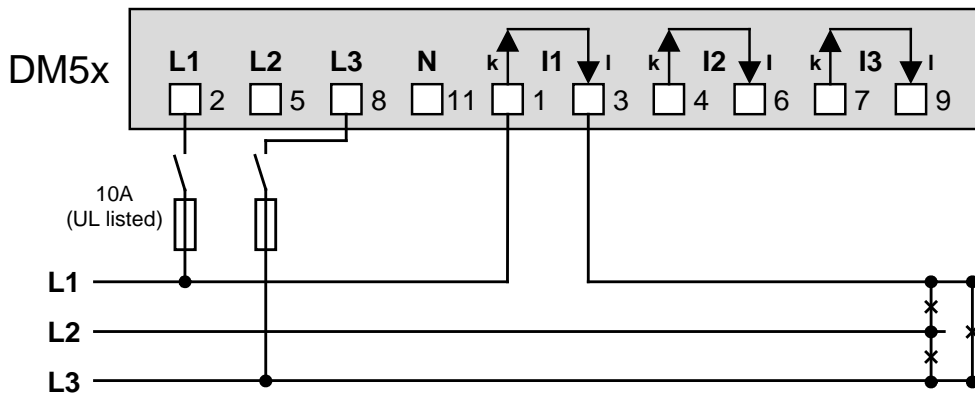


In case of current measurement via L2 or L3 connect voltages according to the following table:

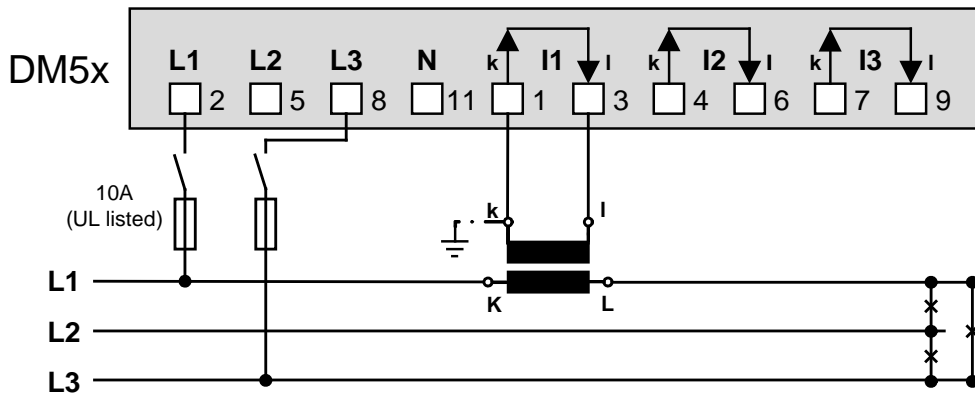
Current	Terminals		L2	L3
L2	I1-k	I1-I	L3	L2
L3	I1-k	I1-I	L1	L3

**Three wire system, balanced load, phase-shift
current measurement L1, voltage measurement L3-L1**

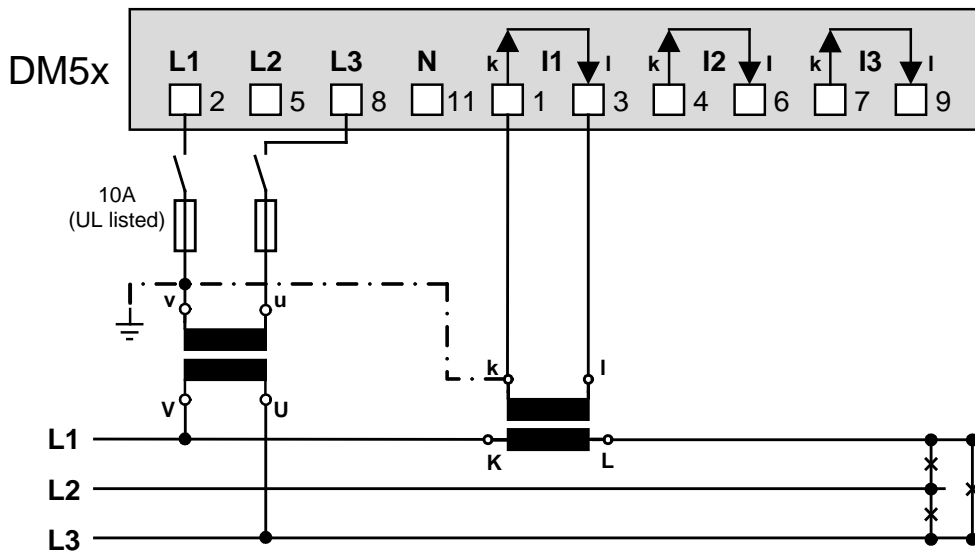
- Direct connection



- With current transformer



- With current and voltage transformer

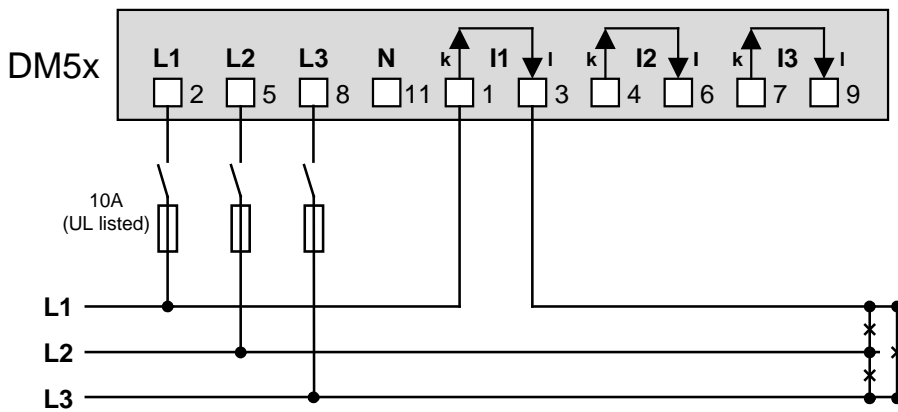


In case of current measurement via L2 or L3 connect voltages according to the following table:

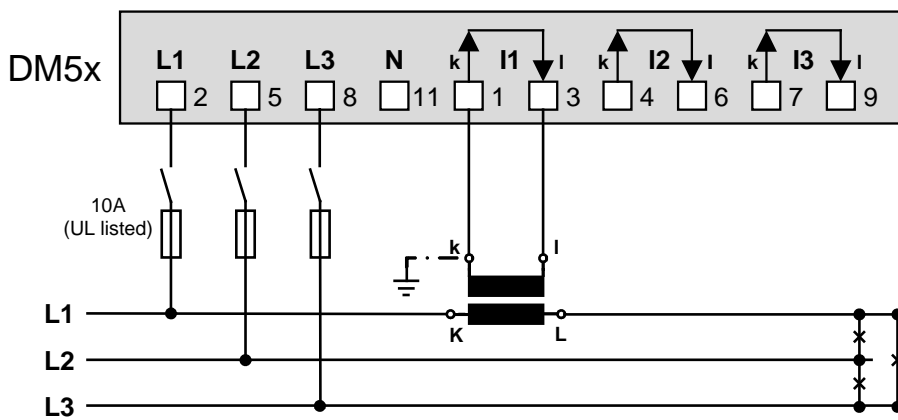
Current	Terminals		L1	L3
L2	I1-k	I1-I	L2	L2
L3	I1-k	I1-I	L3	L3

Three wire system, balanced load, current measurement via L1

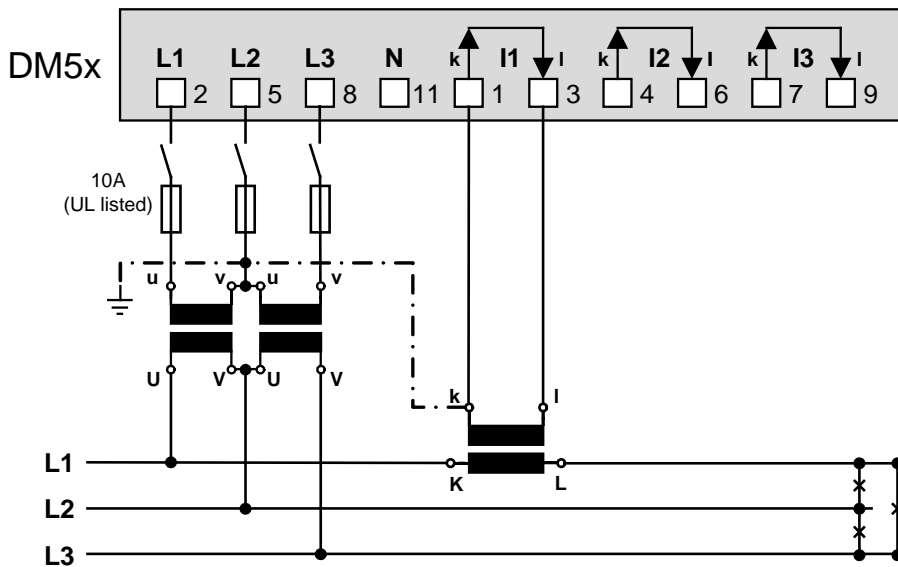
- Direct connection



- With current transformer



- With current and voltage transformer



In case of current measurement via L2 or L3 connect voltages according to the following table:

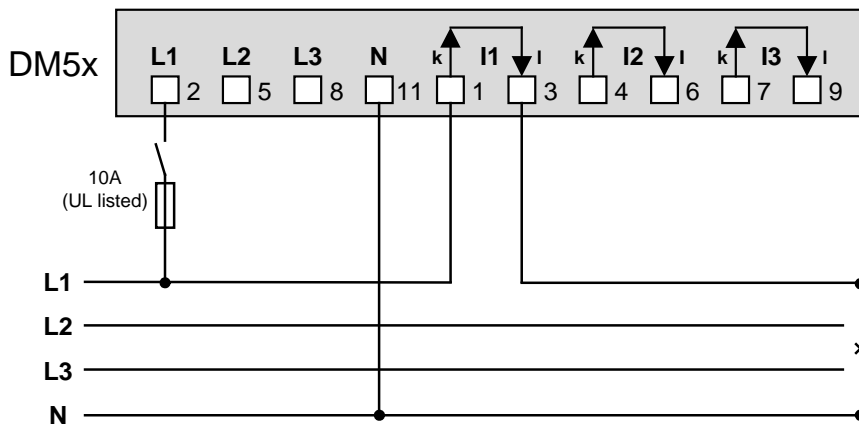
Current	Terminals	L1	L2	L3
L2	I1-k I1-I	L2	L3	L1
L3	I1-k I1-I	L3	L1	L2



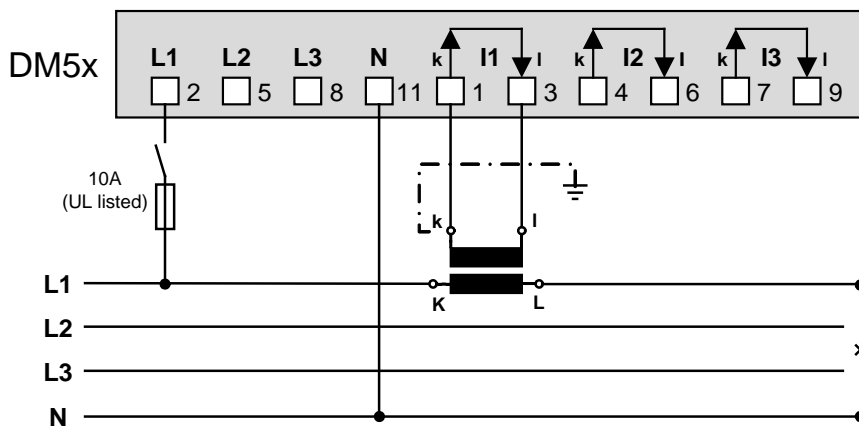
By rotating the voltage connections the measurements U12, U23 and U31 will be assigned interchanged !

Four wire system, balanced load, current measurement via L1

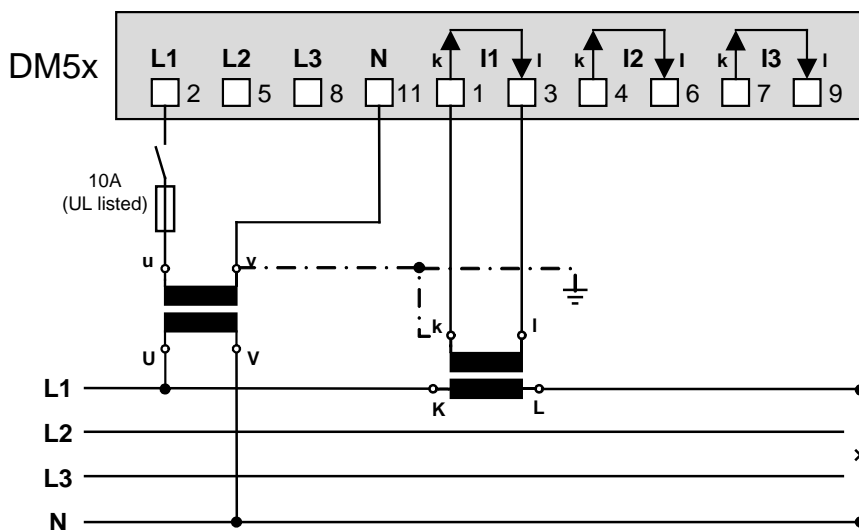
- Direct connection



- With current transformer



- With current and voltage transformer

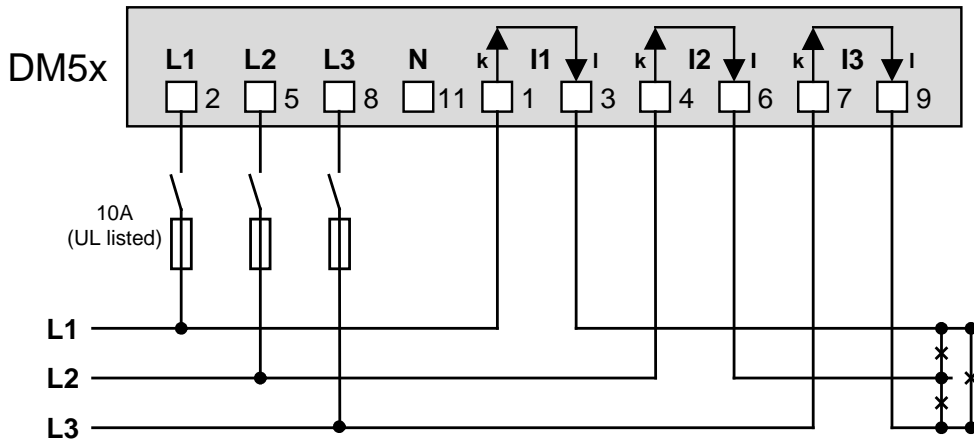


In case of current measurement via L2 or L3 connect voltages according to the following table:

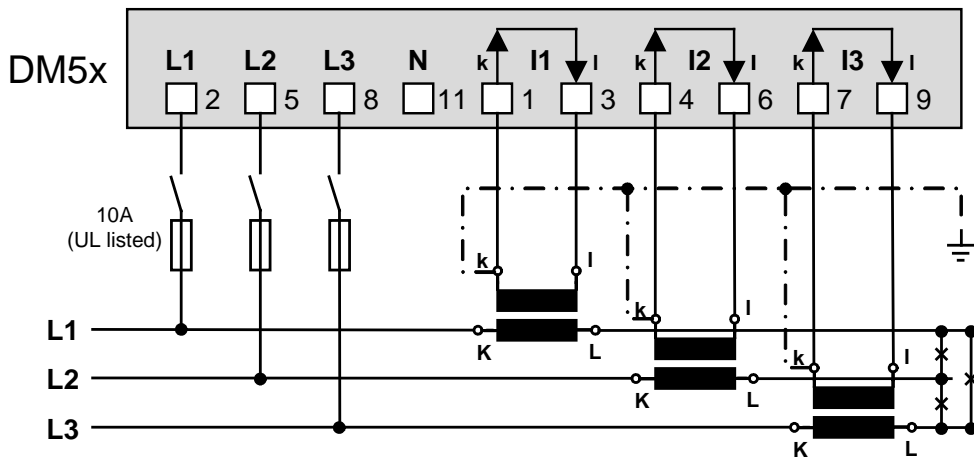
Current	Terminals		L1	N
L2	I1-k	I1-l	L2	N
L3	I1-k	I1-l	L3	N

Three wire system, unbalanced load

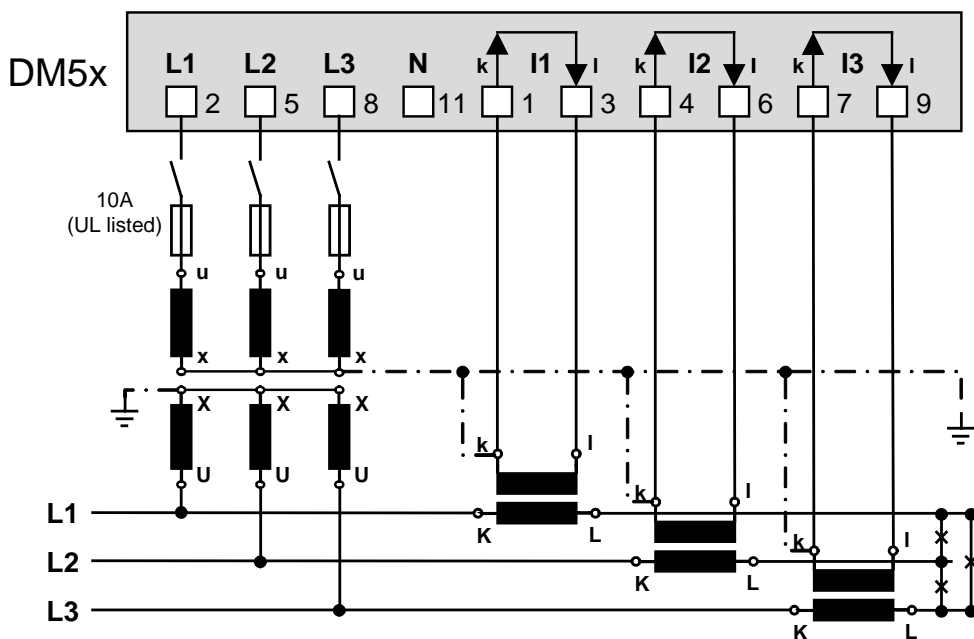
- Direct connection



- With current transformer

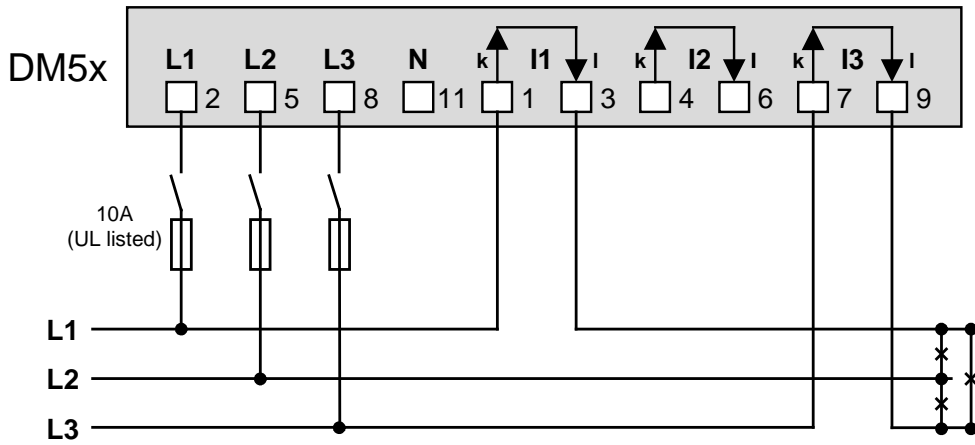


- With current and 3 single-pole isolated voltage transformers

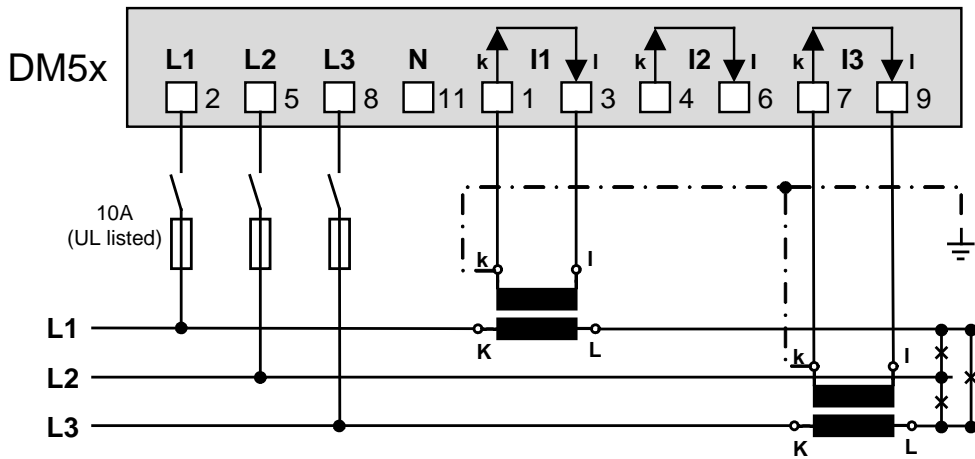


Three wire system, unbalanced load, Aron connection

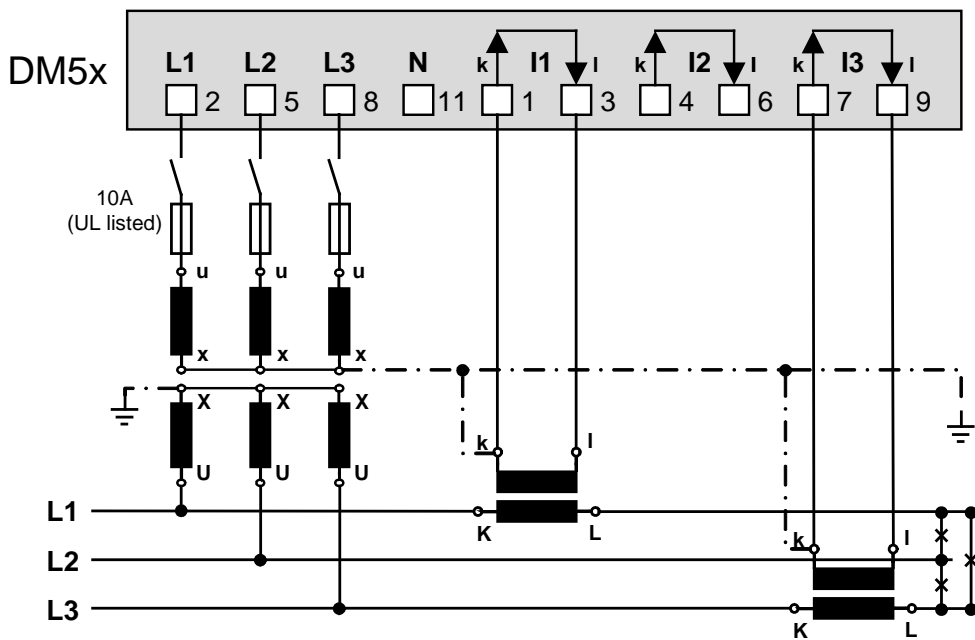
- Direct connection



- With current transformer

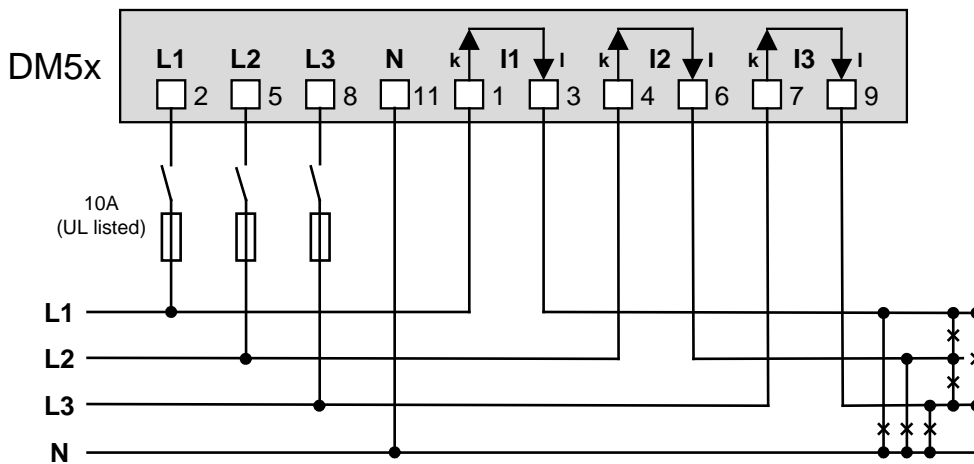


- With current and 3 single-pole isolated voltage transformers

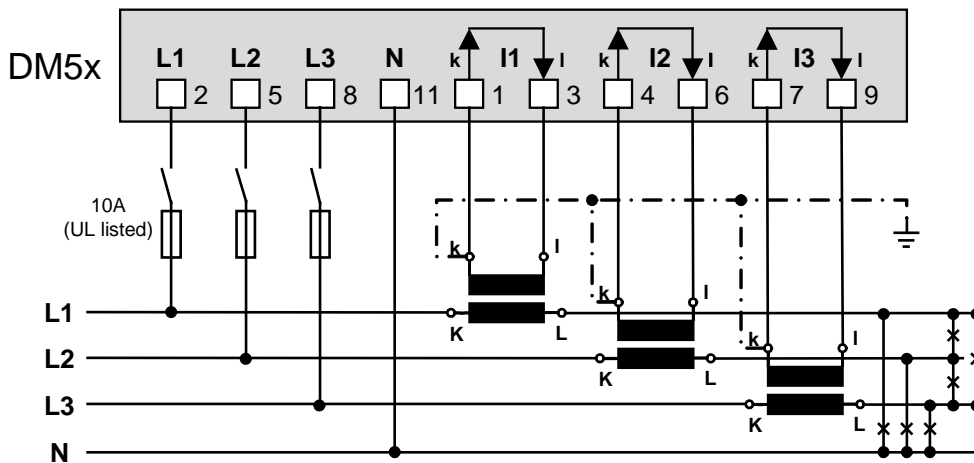


Four wire system, unbalanced load

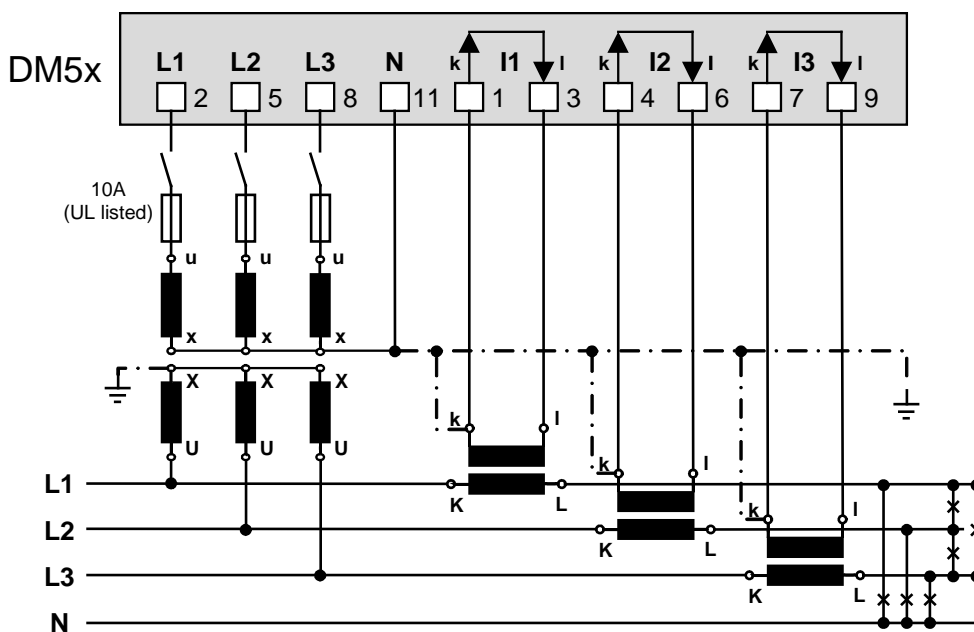
- Direct connection



- With current transformer

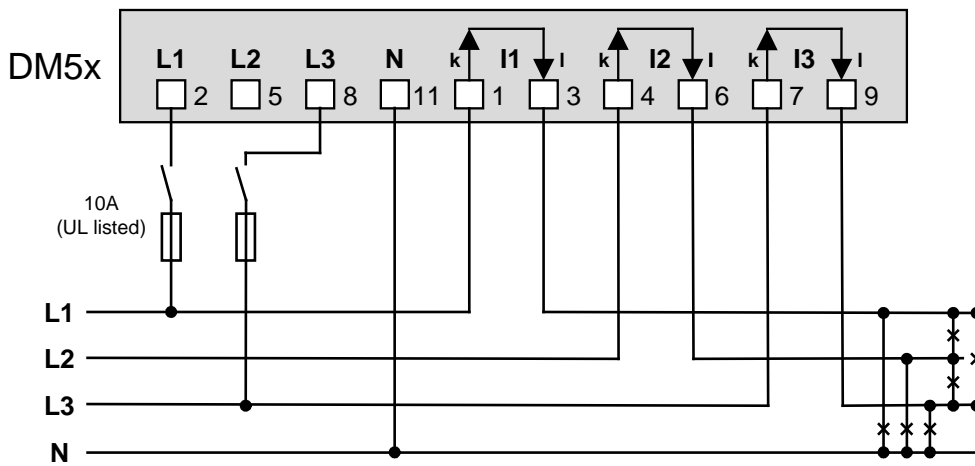


- With current and 3 single-pole isolated voltage transformers

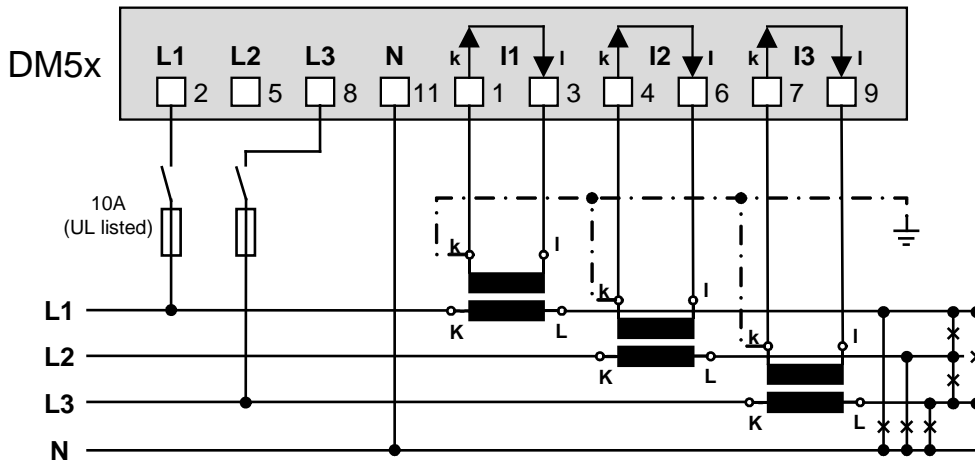


Four wire system, unbalanced load, Open-Y connection

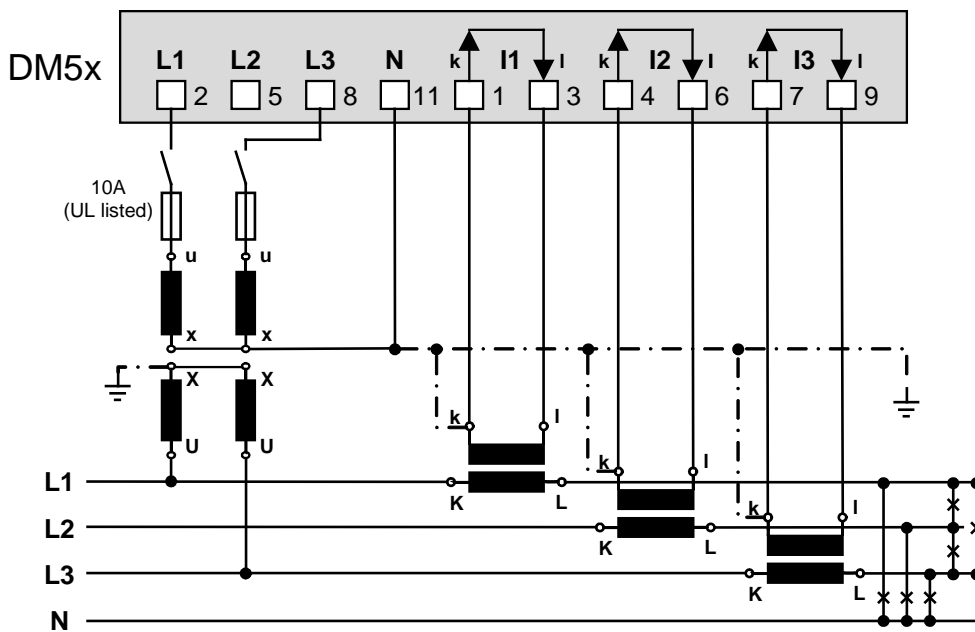
- Direct connection



- With current transformer



- With current and 2 single-pole isolated voltage transformers

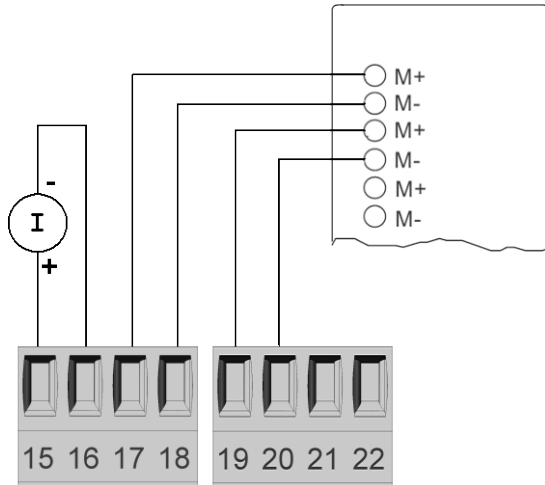


5.5 Power supply



A marked and easily accessible current limiting switch has to be arranged in the vicinity of the device for turning off the power supply. Fusing should be 10 Amps or less and must be rated for the available voltage and fault current.

5.6 Analog outputs

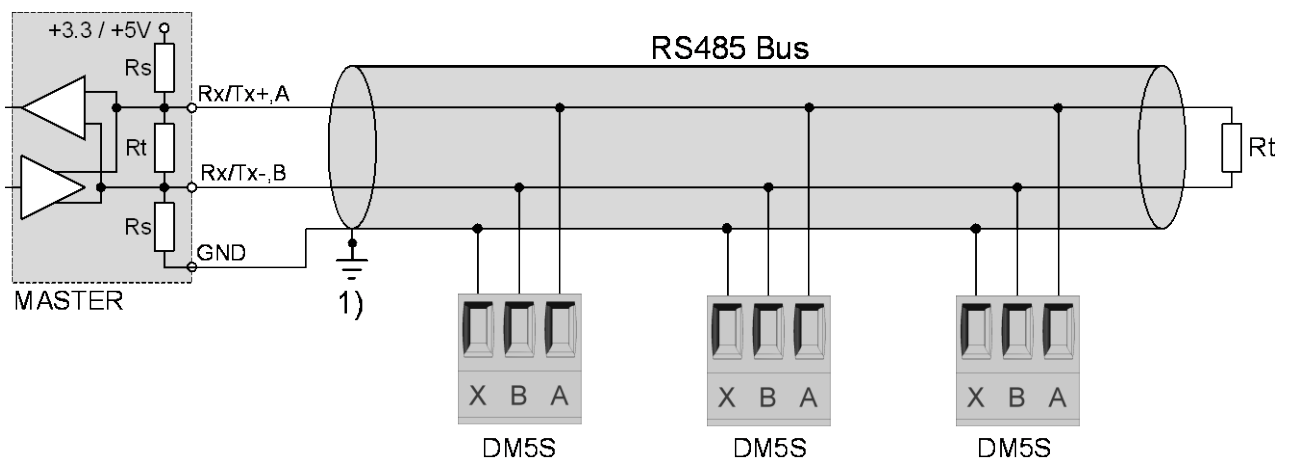


Connection to an analog input card of a PLC or a control system

The DM5S is an isolated measurement device. In addition the particular outputs are galvanically isolated. To reduce the influence of disturbances shielded a twisted-pair cables should be used. The shield should be connected to earth on both opposite ends. If there a potential differences between the ends of the cable the shield should be earthed on one side only to prevent from equalizing currents.

Under all circumstances consider as well appropriate remarks in the instruction manual of the system to connect.

5.7 Modbus interface RS485



1) One ground connection only. This is possibly made within the master (PC).

Rt: Termination resistors: 120 Ω each for long cables (> approx. 10 m)

Rs: Bus supply resistors, 390 Ω each

The signal wires (A, B) have to be twisted. GND (X) can be connected with a wire or with the cable screen. In disturbed environments shielded cables must be used. Supply resistors (Rs) have to be present in the bus master (PC, PLC, control system) interface. Stubs should be avoided when connecting the devices. A pure daisy chain network is ideal.

You may connect up to 32 Modbus devices. To assure operation all of the devices must have equal communication settings (baud rate, transmission format) and unique Modbus addresses.

The bus system is operated half duplex and may be extended to a maximum length of 1200 m without repeater.

5.8 USB configuration interface

The USB interface serves for configuration and commissioning of the DM5S. It is not intended for measurement processing during normal operation !



If the USB interface is connected during normal operation measurements may be slightly distorted ! This can be prevented by using a USB cable with galvanical isolation !



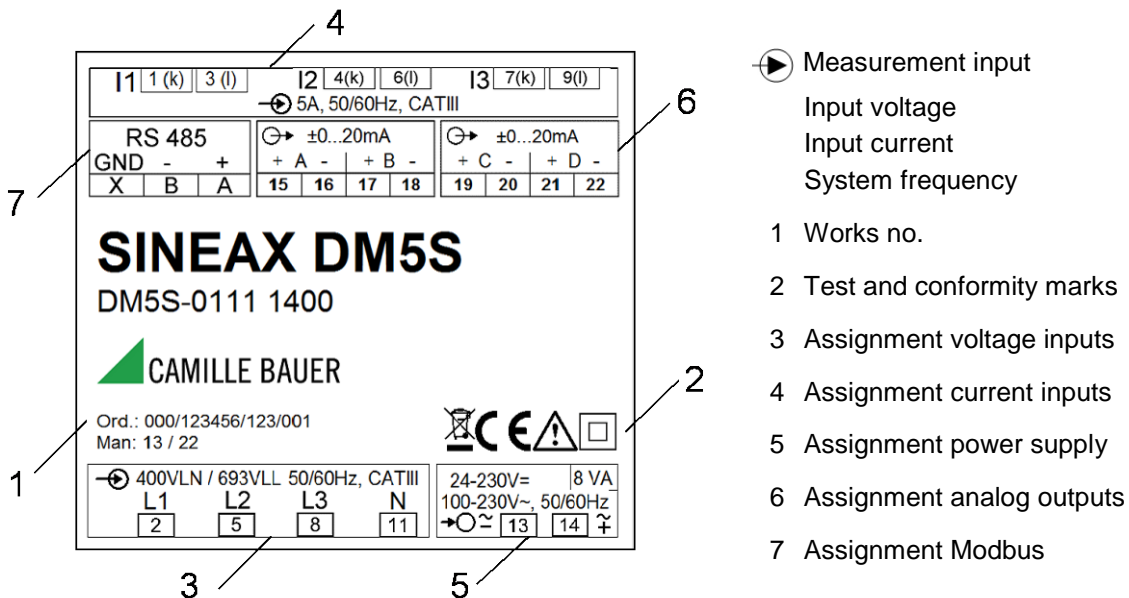
The device can be configured via USB interface even if there is no power supply connected.

6. Commissioning



Before commissioning you have to check if the connection data of the transducer match the data of the plant (see nameplate).

If so, you can start to put the device into operation by switching on the power supply and the measurement inputs.



6.1 Software installation CB-Manager

A complete parametrization of the device is possible via configuration interface only, using the supplied PC software CB-Manager. The software may also be downloaded free of charge from our homepage <http://www.camillebauer.com>.



The file "Read-me-first" on the Doku-CD provides all necessary information for the installation of the CB-Manager software and assistance for possible problems.

Functionality of the CB-Manager software

The software is primary a tool for the configuration of different devices (DM5S, APLUS, CAM, VR660, A200R, V604s) and supports the user during commissioning and service. It allows as well the reading and visualization of measured data.

- ▶ Reading and changing of all device features
- ▶ Archiving of configuration and measurement files
- ▶ Visualization of present measurements
- ▶ Reading, setting and resetting of meters
- ▶ Reading and resetting of maximum values
- ▶ Recording of measurement progressions during commissioning
- ▶ Check for correct device connection
- ▶ Simulation of outputs to test subsequent circuits
- ▶ Adjust the security system as protection against unauthorized access or manipulations

The CB-Manager software provides a comprehensive help facility, which describes in detail the operation of the software as well as all possible parameter settings.

6.2 Parametrization of the device functionality

Operating the software

The device configuration is divided into registers, which contain thematically the different function blocks of the device, e.g. "input", "I/O", "Meters". Thereby of course there are interdependencies, which have to be considered. Therefore a meaningful sequence must be kept during setting the parameters. The easiest way is to handle register by register and line by line:

- ▶ **Device** (set the device version, if not read directly from the device)
- ▶ **Input**, especially system and transformer ratios
- ▶ **Meters**: Selection of meters and assigned tariffs
- ▶ if present: **I/O 1,2 >> I/O 3,4**
- ▶ **Modbus-Image** (if you want to use your own Modbus image)
- ▶ **LEDs**: Definition of the LED functionality

The screenshot shows a software interface for configuring a DM5S device. The interface is divided into several sections:

- Device**: Fields for 'device' (DM5S), 'ID' (0), 'description' (DM5S), and 'TAG' (DM5S).
- firmware version**: Fields for 'input' (0.01.0038) and 'display' (0.00.0000).
- MODBUS**: Fields for 'device address' (1), 'baudrate' (19200), 'parity' (none), 'data bits' (8), and 'stopbits' (2).
- Security system**: A checkbox labeled 'Security system'.
- device type**: Fields for 'display' (checkbox), 'FRAM' (16 kBit), 'RS485 (MODBUS)' (checkbox), and 'NLB' (0).
- I/O's**: A dropdown menu showing '4 x Anout' and a table of I/O configurations:

1	Analog output	5	---
2	Analog output	6	---
3	Analog output		
4	Analog output		

ONLINE / OFFLINE

The parametrization may be performed **ONLINE** (with existing connection to the device) or **OFFLINE** (without connection to the device). To perform an **ONLINE** configuration first the configuration of the connected device, and therewith its hardware version, is read. A modified configuration can then be downloaded to the device and stored on the hard disk of the computer for archiving.

An **OFFLINE** parametrization can be used to prepare device configurations, to store them on disk and to download it to the devices, once you are in the field where the devices are installed. To make this work, the device versions selected during parametrization must agree with the versions on site.

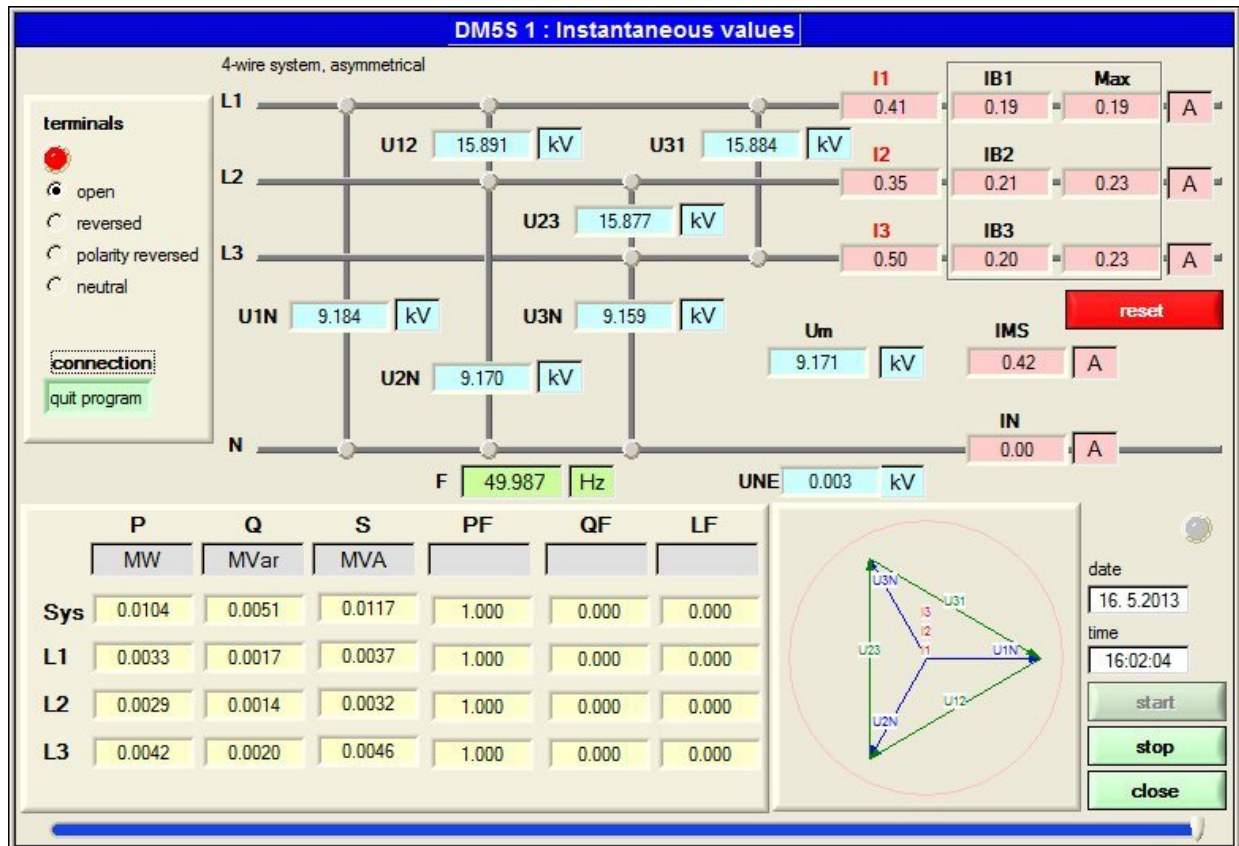
6.3 Installation check

Check if inputs are connected correctly

- Voltage (at least 20% U_{rated}) and current (at least 2% I_{rated}) must be present

Using the connection check, which is integrated in the visualization of the instantaneous values, the correct connection of the current and voltage inputs may be checked. The phase sequence will be checked, as well as if there are open connections or reversed current connections (which change the direction of the current).

The image below shows open current connections (red highlighted I1, I2, I3). This arises because the individual currents are below 2% of the rated value.



Simulation of I/O's

To check if subsequent circuits will work properly with the measurement data provided by the DM5S all analog outputs may be simulated, by predefining any output value by means of the CB-Manager software.

6.4 Protection against device data changing

Data stored in the device may be modified or reset via communication interface. To restrict these possibilities on-site, via CB-Manager the security system in the device can be activated (factory default: not activated). For the definition of these user rights in the software the input of an administrator login is required. The factory default is:

user: admin
password: admin



The administrator password may be modified, but a reset can be performed in our factory only !

For a specific user the access to selectable functions can individually be granted.

6.5 LED functionality

The DM5S provides three LEDs for on-site display. The following default functionality is assigned to the LEDs at the factory (from top to bottom):

- LED A (yellow): Modbus activity
- LED B (yellow): USB activity
- LED C (green): Power supply present and / or USB interface connected ¹⁾

The function and the description of LED A and LED B is user configurable. For device identification the description of LED C (POWER) can be overwritten with the device description. The associated label can then be printed by means of the CB-Manager software.

- ¹⁾ **Hint:** For the parameterization of the DM5S the device can be powered via USB interface, no power supply need to be connected. Also in this case LED C lights. However, for Modbus communication, the measurement of the input signals and for driving analog outputs power via the power supply terminals is required.



7. Service, maintenance and disposal

7.1 Protection of data integrity

The DM5S supports security mechanism, which serve to prevent manipulation or undesired modifications of device data.

► [Protection against device data modifications](#)

7.2 Calibration and new adjustment

Each device is adjusted and checked before delivery. The condition as supplied to the customer is measured and stored in electronic form.

The uncertainty of measurement devices may be altered during normal operation. Relevant standards define a yearly degradation of half of the accuracy class. Therefore we recommend to perform a calibration each year or each two years, including a new adjustment if necessary, to assure the accuracy of the device. This may be done in our factory only.

7.3 Cleaning

If necessary wipe the device using a clean, dry and soft cloth.



Damage due to detergents

Detergents can damage the device. Therefore, do not use detergents.

7.4 Disposal

The product must be disposed in compliance with local regulations.

8. Technical data

Inputs	via screw terminals 6mm ²
Nominal current:	adjustable 1...5 A
Maximum:	7.5 A (sinusoidal)
Consumption:	$\leq I^2 \times 0.01 \Omega$ per phase
Overload capacity:	10 A continuous 100 A, 10 x 1 s, interval 100 s
Nominal voltage:	57.7...400 V _{LN} , 100...693 V _{LL}
Maximum:	480 V _{LN} , 832 V _{LL} (sinusoidal)
Consumption:	$\leq U^2 / 1.54 M\Omega$ per phase
Impedance:	1.54 M Ω per phase
Overload capacity:	480 V _{LN} , 832 V _{LL} continuous 600 V _{LN} , 1040 V _{LL} , 10 x 10 s, interval 10s 800 V _{LN} , 1386 V _{LL} , 10 x 1 s, interval 10s
Systems:	Single phase Split phase (2-phase system) 3-wire, balanced load 3-wire, balanced load, phase-shift 3-wire, unbalanced load 3-wire, unbalanced load, Aron connection 4-wire, balanced load 4-wire, unbalanced load 4-wire, unbalanced load, Open-Y
Nominal frequency:	45... <u>50 / 60</u> ...65Hz
Measurement TRMS:	Up to the 31st harmonic
Power supply	via screw terminals 6mm ²
Nominal voltage:	100...230V AC $\pm 15\%$, 50...400Hz 24...230V DC $\pm 15\%$
Consumption:	≤ 8 VA, depending on the device hardware used

Measurement uncertainty

Reference conditions: Ambient 23°C ± 1 K, sinusoidal input signals (form factor 1.1107),
(acc. IEC/EN 60688) Measurement over 8 cycles, no fixed system frequency for sampling,
PF=1, frequency 50...60Hz, burden 250 Ω

Voltage, current:	$\pm 0.12\%$ FSU, FSI ^{1) 2)}
U _{NE} , I _N :	$\pm 0.5\%$ FSU, FSI ^{1) 2)}
Power:	$\pm 0.20\%$ (FSU * FSI) ²⁾
Power factor:	$\pm 0.1^\circ$ ²⁾
Frequency:	± 0.01 Hz
Active energy:	Class 0.5S, EN 62053-22
Reactive energy:	Class 2, EN 62053-23

Measurement with fixed system frequency:

General	\pm Basic uncertainty x (F _{konfig} - F _{ist}) [Hz] x 10
U _{NE} , I _N	$\pm 1.5\%$ up to ± 0.5 Hz

¹⁾ FSU, FSI – Configured maximum value of voltage / current inputs

²⁾ Additional uncertainty if neutral wire not connected (3-wire connections)

- Voltage, power: 0.1% of measured value; load factor: 0.1°
- Energy: Voltage influence x 2, Angle influence x 2

Zero suppression, range limitations

Specific measurements can be determined and given to the analog outputs or the bus interface only if certain pre-conditions are fulfilled. If these conditions are not fulfilled, a default value is used for these measurements.

Quantity	Condition	Default
Voltage	$U_x < 1\% U_{x_{max}}$	0.00
Current	$I_x < 0,1\% I_{x_{max}}$	0.00
PF	$S_x < 1\% S_{x_{max}}$	1.00
QF, LF	$S_x < 1\% S_{x_{max}}$	0.00
Frequency	voltage and/or current input too low ¹⁾	44.90

¹⁾ specific level depends on the device configuration

Analog outputs

Linearization:	via plug-in terminals 2.5mm ² , galvanically isolated
Range:	Linear, kinked
Uncertainty:	± 20 mA (24 mA max.), bipolar
Burden:	± 0.1% of 20 mA (included in basic uncertainty)
Burden influence:	≤ 500 Ω (max. 10 V / 20 mA)
Residual ripple:	≤ 0.1%
Response time:	≤ 0.2%
	< 165 ms (for 4 cycles averaging time of RMS values)

Interface

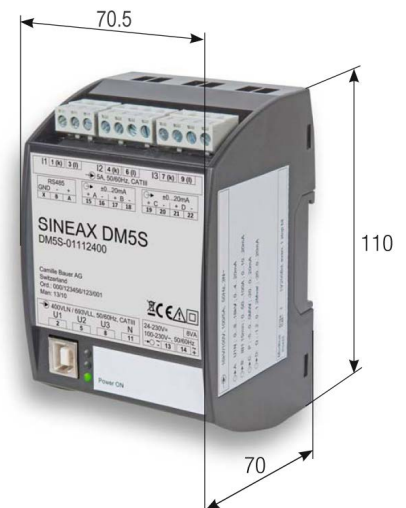
Modbus/RTU	via plug-in terminals
Protocol:	Modbus RTU
Physics:	RS-485, max. 1200m (4000 ft)
Baud rate:	2'400, 4'800, 9'600, 19'200, 38'400, 57'600, 115'200 Baud
Number of participants:	≤ 32

Ambient conditions, general information

Operating temperature:	-10 up to <u>22</u> up to <u>24</u> up to + 55°C
Storage temperature:	-25 up to + 70°C
Temperature influence:	0.5 x measurement uncertainty per 10 K
Long term drift:	0.2 x measurement uncertainty per year
Others:	Usage group II (EN 60 688)
Relative humidity:	< 95% no condensation
Altitude:	≤ 2000 m max.
Device to be used indoor only !	

Mechanical attributes

Orientation:	Any
Housing material:	Polycarbonat
Flammability class:	V-0 acc. UL94, non-dripping, free of halogen
Weight:	250 g



Vibration withstand (test according to DIN EN 60 068-2-6)

Acceleration:	± 5 g
Frequency range:	10 ... 150 ... 10 Hz, rate of frequency sweep: 1 octave/minute
Number of cycles:	10 in each of the 3 axes

Security

The current inputs are galvanically isolated from each other

Protection class:	II (protective insulation, voltage inputs via protective impedance)
Pollution degree:	2
Protection:	IP30 (housing), IP20 (terminals)
Measurement category:	CAT III up to 600V
Rated voltage (versus earth):	power supply: 265 V AC I/O's: 30 V DC
Test voltages:	AC, 60s, acc. IEC/EN 61010-1 (2010) <ul style="list-style-type: none">• power supply versus inputs U, I: 3600V AC• power supply versus Modbus, analog outputs: 3000V AC• inputs U versus inputs I: 3600V AC• inputs U versus Modbus, analog outputs: Current limitation by protective impedance• inputs I versus Modbus, analog outputs: 3600V AC• inputs I versus inputs I: 1800V AC

Applied regulations, standards and directives

IEC/EN 61 010-1	Safety regulations for electrical measuring, control and laboratory equipment
IEC/EN 60 688	Electrical measuring transducers for converting AC electrical variables into analog or digital signals
DIN 40 110	AC quantities
IEC/EN 60 068-2-1/ -2/-3/-6/-27:	Ambient tests -1 Cold, -2 Dry heat, -3 Damp heat, -6 Vibration, -27 Shock
IEC/EN 60 529	Protection type by case
IEC/EN 61 000-6-2/ 61 000-6-4:	Electromagnetic compatibility (EMC) Generic standard for industrial environment
IEC/EN 61 326	Electrical equipment for measurement, control and laboratory use - EMC requirements
UL94	Tests for flammability of plastic materials for parts in devices and appliances
2002/95/EG (RoHS)	EC directive on the restriction of the use of certain hazardous substances

Warning

This is a class A product. In a domestic environment this product may cause radio interference in which case the user may be required to take adequate measures.

This device complies with part 15 of the FCC:

Operation is subject to the following two conditions: (1) This device may not cause harmful interference, and (2) this device must accept any interference received, including interference that may cause undesired operation.

This Class A digital apparatus complies with Canadian ICES-0003.

Annex

A Description of measured quantities

Used abbreviations

- 14 Single phase system or
4-wire system with balanced load or
3-wire system with balanced load, phase shift
- 2L Split phase; system with 2 phases and centre tap
- 3G 3-wire system with balanced load
- 3U 3-wire system with unbalanced load
- 3A 3-wire system with unbalanced load, Aron connection (only 2 currents connected)
- 4U 4-wire system with unbalanced load
- 4O 4-wire system with unbalanced load, Open-Y (reduced voltage connection)

A1 Basic measurements

These measured quantities are determined using the configured measurement time (4...1024 cycles). If a measurement is available depends on the selected system.

Measurement	14	2L	3G	3U	3A	4U	4O
System voltage	•	•	-	-	-	-	-
Voltage L1-N	-	•	-	-	-	•	•
Voltage L2-N	-	•	-	-	-	•	•
Voltage L3-N	-	-	-	-	-	•	•
Voltage L1-L2	-	-	•	•	•	•	•
Voltage L2-L3	-	-	•	•	•	•	•
Voltage L3-L1	-	-	•	•	•	•	•
Zero displacement voltage	-	-	-	-	-	•	•
System current	•	-	•	-	-	-	-
Current in phase L1	-	•	-	•	•	•	•
Current in phase L2	-	•	-	•	•	•	•
Current in phase L3	-	-	-	•	•	•	•
Neutral current (calculated)	-	•	-	-	-	•	•
Active power of the system	•	•	•	•	•	•	•
Active power in phase L1	-	•	-	-	-	•	•
Active power in phase L2	-	•	-	-	-	•	•
Active power in phase L3	-	-	-	-	-	•	•
Active power of the system	•	•	•	•	•	•	•
Reactive power in phase L1	-	•	-	-	-	•	•
Reactive power in phase L2	-	•	-	-	-	•	•
Reactive power in phase L3	-	-	-	-	-	•	•
Apparent power of the system	•	•	•	•	•	•	•
Apparent power in phase L1	-	•	-	-	-	•	•
Apparent power in phase L2	-	•	-	-	-	•	•
Apparent power in phase L3	-	-	-	-	-	•	•

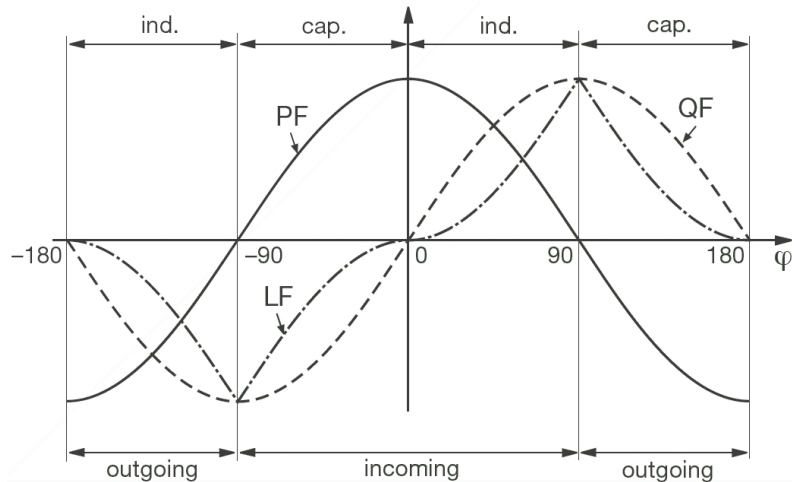
Measurement	14	2L	3G	3U	3A	4U	4O
System frequency	•	•	•	•	•	•	•
Active power factor of the system, PF=P / S	•	•	•	•	•	•	•
Active power factor in phase L1	-	•	-	-	-	•	•
Active power factor in phase L2	-	•	-	-	-	•	•
Active power factor in phase L3	-	-	-	-	-	•	•
Reactive power factor of the system, QF=Q / S	•	•	•	•	•	•	•
Reactive power factor in phase L1	-	•	-	-	-	•	•
Reactive power factor in phase L2	-	•	-	-	-	•	•
Reactive power factor in phase L3	-	-	-	-	-	•	•
LF factor of the system, sign(Q)·(1- abs(PF))	•	•	•	•	•	•	•
LF factor in phase L1	-	•	-	-	-	•	•
LF factor in phase L2	-	•	-	-	-	•	•
LF factor in phase L3	-	-	-	-	-	•	•
Average voltage	-	•	•	•	•	•	•
Average current	-	•	-	•	•	•	•
Average current with sign of P	-	•	-	•	•	•	•
Bimetal current of the system	•	-	•	-	-	-	-
Bimetal current in phase L1	-	•	-	•	•	•	•
Bimetal current in phase L2	-	•	-	•	•	•	•
Bimetal current in phase L3	-	-	-	•	•	•	•
Slave pointer of bimetal current of the system	•	-	•	-	-	-	-
Slave pointer of bimetal current in phase L1	-	•	-	•	•	•	•
Slave pointer of bimetal current in phase L2	-	•	-	•	•	•	•
Slave pointer of bimetal current in phase L3	-	-	-	•	•	•	•

Power factors

The **power factor PF** gives the relation between active and apparent power. If there are no harmonics present in the system, it corresponds to the $\cos\varphi$. PF has a range of $-1 \dots 0 \dots +1$, where the sign gives the direction of energy flow.

The **load factor LF** is a quantity derived from the PF, which allows making a statement about the load type. Only this way it's possible to measure a range like 0.5 capacitive ... 1 ... 0.5 inductive in a non-ambiguous way.

The **reactive power factor QF** gives the relation between reactive and apparent power.

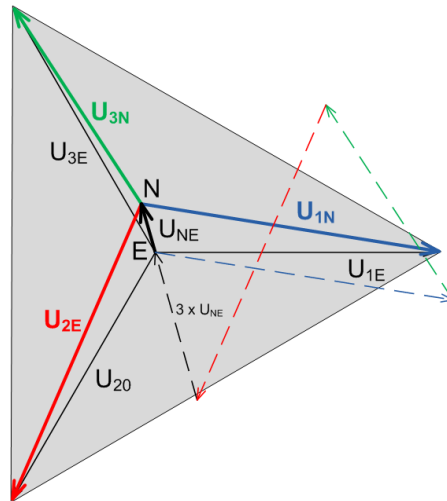


Zero displacement voltage U_{NE}

Starting from the generating system with star point E (which is normally earthed), the star point (N) on load side is shifted in case of unbalanced load. The zero displacement voltage between E and N may be determined by a vectorial addition of the voltage vectors of the three phases:

$$\underline{U}_{NE} = -(\underline{U}_{1N} + \underline{U}_{2N} + \underline{U}_{3N}) / 3$$

A displacement voltage may also occur due to harmonics of order 3, 9, 15, 21 etc., because the dedicated currents add in the neutral wire.



A2 Meters

The DM5S supports up to 32 energy meters. To each of these meters a base measurement quantity and a tariff can be assigned. The present tariff is set via Modbus.

For application with short measurement times, e.g. energy consumption for a single working day or production lot, the resolution can be adapted.

Thanks to uninterrupted measurement and automatically range detection a high accuracy is achieved.

B Declaration of conformity

B1 CE conformity



EG - KONFORMITÄTSERKLÄRUNG
EC DECLARATION OF CONFORMITY



Auf uns ist Verlass.

Dokument-Nr./ Document no.: DM5S_CE-konf.doc

Hersteller / Manufacturer: **Camille Bauer AG**
Switzerland

Anschrift / Address: **Aargauerstrasse 7**
CH-5610 Wohlen

Produktbezeichnung/ Product name: **Multi-Messumformer mit Analogausgängen und Modbus-Schnittstelle**
Multifunctional transducer with analog outputs and Modbus interface

Typ / Type: **SINEAX DM5S**

Das bezeichnete Produkt stimmt mit den Vorschriften folgender Europäischer Richtlinien überein, nachgewiesen durch die Einhaltung folgender Normen:

The above mentioned product has been manufactured according to the regulations of the following European directives proven through compliance with the following standards:

Nr. / No.	Richtlinie / Directive
2004/108/EG	Elektromagnetische Verträglichkeit - EMV-Richtlinie
2004/108/EC	Electromagnetic compatibility - EMC directive

EMV / EMC	Fachgrundnorm / Generic Standard	Messverfahren / Measurement methods
Störaussendung / Emission	EN 61000-6-4 : 2007	EN 55011
Störfestigkeit / Immunity	EN 61000-6-2 : 2005	IEC 61000-4-2 IEC 61000-4-3 IEC 61000-4-4 IEC 61000-4-5 IEC 61000-4-6 IEC 61000-4-8 IEC 61000-4-11

Nr. / No.	Richtlinie / Directive
2006/95/EG	Elektrische Betriebsmittel zur Verwendung innerhalb bestimmter Spannungsgrenzen – Niederspannungsrichtlinie – CE-Kennzeichnung : 95
2006/95/EC	Electrical equipment for use within certain voltage limits – Low Voltage Directive – Attachment of CE marking : 95

EN/Norm/Standard	IEC/Norm/Standard
EN 61010-1: 2010	IEC 61010-1: 2010
EN 61010-2-30: 2010	EN 61010-2-30: 2010

Ort, Datum / Place, date: Wohlen, 14. Juni 2013

Unterschrift / signature:


M. Ulrich
Leiter Technik / Head of engineering


J. Brem
Qualitätsmanager / Quality manager

B2 FCC statement

The following statement applies to the products covered in this manual, unless otherwise specified herein. The statement for other products will appear in the accompanying documentation.

NOTE: This equipment has been tested and found to comply with the limits for a Class A digital device, pursuant to Part 15 of the FCC Rules and meets all requirements of the Canadian Interference-Causing Equipment Standard ICES-003 for digital apparatus. These limits are designed to provide reasonable protection against harmful interference in a residential installation. This equipment generates, uses, and can radiate radio frequency energy and, if not installed and used in accordance with the instructions, may cause harmful interference to radio communications. However, there is no guarantee that interference will not occur in a particular installation. If this equipment does cause harmful interference to radio or television reception, which can be determined by turning the equipment off and on, the user is encouraged to try to correct the interference by one or more of the following measures:

- Reorient or relocate the receiving antenna.
- Increase the separation between the equipment and receiver.
- Connect the equipment into an outlet on a circuit different from that to which the receiver is connected.
- Consult the dealer or an experienced radio/T.V. technician for help.

Camille Bauer AG is not responsible for any radio television interference caused by unauthorized modifications of this equipment or the substitution or attachment of connecting cables and equipment other than those specified by Camille Bauer AG. The correction of interference caused by such unauthorized modification, substitution or attachment will be the responsibility of the user.

INDEX

A		M	
Auto-scaling	6	Measured quantities	33
C		Basic measurements	33
Commissioning	25	meters	34
D		power factors	34
Declaration of conformity	35	zero displacement voltage	34
Device overview	5	Measurement	
E		continuous	6
Electrical connections		Mechanical mounting	8
analog outputs	23	Metering	6
cross sections	10	Modbus image	7
Four-wire balanced load	18	Modes of operation	6
Four-wire Open-Y	22	N	
Four-wire unbalanced	21	Nameplate	25
Modbus interface	23	S	
power supply	23	Scope of supply	4
Single-phase AC mains	12	Security notes	5
Split-phase	13	Service and maintenance	29
Three-wire Aron	20	Software	
Three-wire balanced load	17	CB-Manager	25
Three-wire phase-shift	14	online / offline	26
Three-wire unbalanced load	19	operating	26
USB configuration interface	24	security system	27
F		Simulation of I/O's	27
FCC statement	36	T	
I		Technical data	30
Installation check	27	Z	
L		Zero suppression	31
LED	28		