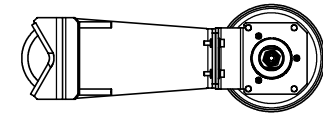
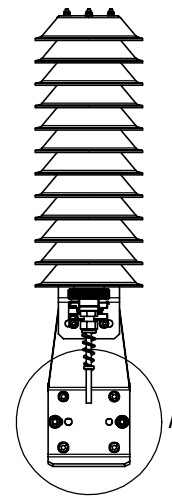


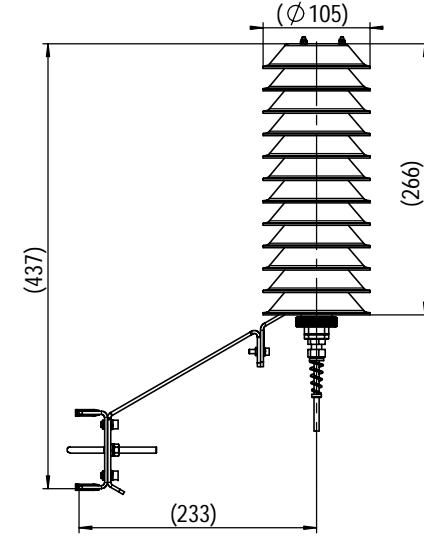
Bottom View



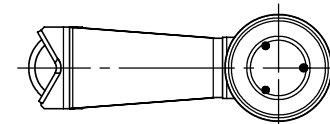
Front View



Side View



Top View



Pole Mast Diameter $\varnothing 30 \dots \varnothing 60$ (mm)

Mounting Plate

Support Plate

U-Clamp

Screw M4x10 DIN912 2pcs
Spring Washer B4 DIN127
Washer A4,3 DIN125

Screw M5x12 DIN912 4pcs
Spring Washer B5 DIN127
Washer A5,3 DIN125

Nut M6 DIN934 2pcs
Spring Washer B6 DIN127
Washer A6,4 DIN125

HMP45A/D Humidity Probe

A (1 : 2.5)

66

40

HMP45A/D Humidity Probe

50

$\varnothing 6.5$

Screw M5x12 DIN912 4pcs
Spring Washer B5 DIN127
Washer A5,3 DIN125

Nut M6 DIN934 2pcs
Spring Washer B6 DIN127
Washer A6,4 DIN125