

PARTICLE GENERATOR MODEL 8026

OPERATION AND SERVICE MANUAL



START SEEING THE BENEFITS OF REGISTERING TODAY!

Thank you for your TSI instrument purchase. Occasionally, TSI releases information on software updates, product enhancements and new products. By registering your instrument, TSI will be able to send this important information to you.

<http://register.tsi.com>

As part of the registration process, you will be asked for your comments on TSI products and services. TSI's customer feedback program gives customers like you a way to tell us how we are doing.



UNDERSTANDING, ACCELERATED

TSI Incorporated - Visit our website **www.tsi.com** for more information.

USA	Tel: +1 800 874 2811	India	Tel: +91 80 67877200
UK	Tel: +44 149 4 459200	China	Tel: +86 10 8251 6588
France	Tel: +33 4 91 11 87 64	Singapore	Tel: +65 6595 6388
Germany	Tel: +49 241 523030		

P/N 2980174 Rev G

©2012 TSI Incorporated

Printed in U.S.A.

Copyright ©

TSI Incorporated / Revision K / 2000–2012 / All rights reserved.

Address

TSI Incorporated / 500 Cardigan Road / Shoreview, MN 55126 / USA

Fax No.

(651) 490-3824

LIMITATION OF WARRANTY AND LIABILITY (effective June 2011)

(For country-specific terms and conditions outside of the USA, please visit www.tsi.com.)

Seller warrants the goods sold hereunder, under normal use and service as described in the operator's manual, shall be free from defects in workmanship and material for **12 months**, or if less, the length of time specified in the operator's manual, from the date of shipment to the customer. This warranty period is inclusive of any statutory warranty. This limited warranty is subject to the following exclusions and exceptions:

- a. Hot-wire or hot-film sensors used with research anemometers, and certain other components when indicated in specifications, are warranted for 90 days from the date of shipment;
- b. Pumps are warranted for hours of operation as set forth in product or operator's manuals;
- c. Parts repaired or replaced as a result of repair services are warranted to be free from defects in workmanship and material, under normal use, for 90 days from the date of shipment;
- d. Seller does not provide any warranty on finished goods manufactured by others or on any fuses, batteries or other consumable materials. Only the original manufacturer's warranty applies;
- e. Unless specifically authorized in a separate writing by Seller, Seller makes no warranty with respect to, and shall have no liability in connection with, goods which are incorporated into other products or equipment, or which are modified by any person other than Seller.

The foregoing is **IN LIEU OF** all other warranties and is subject to the **LIMITATIONS** stated herein. **NO OTHER EXPRESS OR IMPLIED WARRANTY OF FITNESS FOR PARTICULAR PURPOSE OR MERCHANTABILITY IS MADE. WITH RESPECT TO SELLER'S BREACH OF THE IMPLIED WARRANTY AGAINST INFRINGEMENT, SAID WARRANTY IS LIMITED TO CLAIMS OF DIRECT INFRINGEMENT AND EXCLUDES CLAIMS OF CONTRIBUTORY OR INDUCED INFRINGEMENTS. BUYER'S EXCLUSIVE REMEDY SHALL BE THE RETURN OF THE PURCHASE PRICE DISCOUNTED FOR REASONABLE WEAR AND TEAR OR AT SELLER'S OPTION REPLACEMENT OF THE GOODS WITH NON-INFRINGEMENTS GOODS.**

TO THE EXTENT PERMITTED BY LAW, THE EXCLUSIVE REMEDY OF THE USER OR BUYER, AND THE LIMIT OF SELLER'S LIABILITY FOR ANY AND ALL LOSSES, INJURIES, OR DAMAGES CONCERNING THE GOODS (INCLUDING CLAIMS BASED ON CONTRACT, NEGLIGENCE, TORT, STRICT LIABILITY OR OTHERWISE) SHALL BE THE RETURN OF GOODS TO SELLER AND THE REFUND OF THE PURCHASE PRICE, OR, AT THE OPTION OF SELLER, THE REPAIR OR REPLACEMENT OF THE GOODS. IN THE CASE OF SOFTWARE, SELLER WILL REPAIR OR REPLACE DEFECTIVE SOFTWARE OR IF UNABLE TO DO SO, WILL REFUND THE PURCHASE PRICE OF THE SOFTWARE. IN NO EVENT SHALL SELLER BE LIABLE FOR LOST PROFITS OR ANY SPECIAL, CONSEQUENTIAL OR INCIDENTAL DAMAGES. SELLER SHALL NOT BE RESPONSIBLE FOR INSTALLATION, DISMANTLING OR REINSTALLATION COSTS OR CHARGES. No Action, regardless of form, may be brought against Seller more than 12 months after a cause of action has accrued. The goods returned under warranty to Seller's factory shall be at Buyer's risk of loss, and will be returned, if at all, at Seller's risk of loss.

Buyer and all users are deemed to have accepted this LIMITATION OF WARRANTY AND LIABILITY, which contains the complete and exclusive limited warranty of Seller. This LIMITATION OF WARRANTY AND LIABILITY may not be amended, modified or its terms waived, except by writing signed by an Officer of Seller.

Service Policy

Knowing that inoperative or defective instruments are as detrimental to TSI as they are to our customers, our service policy is designed to give prompt attention to any problems. If any malfunction is discovered, please contact your nearest sales office or representative, or call TSI's Customer Service department at (800) 874-2811 (USA) or (001 651) 490-2811, International.

CONTENTS

SAFETY INFORMATION	iv
---------------------------------	-----------

Chapters

1. UNPACKING AND PARTS IDENTIFICATION	1
Unpacking the Particle Generator.....	1
Parts Identification for the Particle Generator.....	2
Replacement Parts and Supplies.....	2
2. SETTING UP AND OPERATING THE MODEL 8026 PARTICLE GENERATOR	3
Introduction	3
Selecting a Fit Testing Location.....	3
Setting up the Model 8026 Particle Generator.....	4
Operating the Model 8026 Particle Generator	5
3. MAINTENANCE	7
Routine Maintenance	7
Cleaning the Atomizer Nozzle.....	7
4. TROUBLESHOOTING.....	9
Appendix	
A. SPECIFICATIONS	11

AVAILABLE APPLICATION NOTES

To obtain any of the Application Notes, contact TSI at:

U.S. (800) 874-2811/(651) 490-2811, Fax: (651) 490-3824

International (001 651) 490-2811, Fax: (001 651) 490-3824

These Application Notes can also be found under TSI's web site:

<http://www.tsi.com>

SAFETY INFORMATION

The Model 8026 Particle Generator includes a high-temperature safety switch. If the generator overheats, this switch shuts off the unit permanently, and it must be returned to TSI for servicing.

Chapter 1

Unpacking and Parts Identification

Unpacking the Particle Generator

Carefully unpack the Model 8026 Particle Generator and accessories from the shipping case. Use the tables and illustrations below to make certain that there are no missing components. Contact TSI immediately if anything is missing or damaged.

Table 1-1: Model 8026 Particle Generator Component Parts

Quantity	Item Description	Part/Model
1	Particle generator	8026
1	Particle generator power cord	1303567
1	Package of 100 salt tablets	803011
1	Model 8026 Particle Generator Operation and Service Manual	1980319

Parts Identification for the Particle Generator

Figure 1-1 identifies the parts of the Model 8026 Particle Generator. Please become familiar with these components before proceeding.



Figure 1-1

Replacement Parts and Supplies

The following items are sold by TSI as replacement parts and supplies for the Model 8026 Particle Generator.

Table 1-2: Replacement Parts and Supplies

Quantity	Item Description	Part/Model
1	Package of 100 salt tablets	803011
1	Storage lid for reservoir	2002030
1	Power cord (North America)	1303567
1	Atomizer assembly	2401041

Chapter 2

Setting Up and Operating the Model 8026 Particle Generator

Introduction

The Model 8026 Particle Generator is intended to supplement the naturally occurring particles in the air when performing quantitative respirator fit tests using the TSI PORTACOUNT Respirator Fit Tester. The following setup and operating instructions presume this intended usage.

This does not preclude, however, using the Model 8026 Particle Generator for other applications where you desire to generate a moderate concentration of poly-disperse particles. Some general notes on alternate uses for the Model 8026 are found at the end of this chapter.

Before setting up the Model 8026 Particle Generator, it is important to select a suitable location for fit testing.

Selecting a Fit Testing Location

The particle generator may be used with the PORTACOUNT fit tester if you are unable to obtain the minimum particle concentration.

Important Considerations

- The Particle Generator or any other sources of particle generation should be kept at least 6 feet from the PORTACOUNT PRO fit tester during operations.
- For the Particle Generator to function properly, you must operate the generator and conduct the fit tests in an enclosed area. A room smaller than 400 sq. ft. would provide the best conditions. Particle generation will not function as efficiently in an open cubicle area or a very large room.
- The Particle Generator and other forms of particle generation should only be used sparingly, when needed. Often they are only needed in the morning hours or at the beginning of fit testing. Do **not** operate any form of particle generation if ambient particle concentrations are above 8,000 pt/cc (as per use with full- & half-mask, P100 fit testing) or 800 pt/cc (as per use with N95 fit testing).
- Never split the Twin Tubing assembly in order to move the ambient (blue) tube closer to the Particle Generator.

Setting up the Model 8026 Particle Generator

The particle generator supplements the naturally occurring particles in the room environment. Follow the steps below to set up the particle generator:

1. Fill the reservoir jar with distilled water to the fill line. It is helpful use room temperature water to help the salt tablet dissolve more quickly.



Figure 2-1

2. Drop one salt tablet into the reservoir. Each tablet contains 100 mg of salt. Break or crush the tablet before dropping it into the water to dissolve it more quickly.
3. Place the temporary cover tightly on the reservoir and shake it gently to dissolve the salt tablet.
4. Once the solution is mixed, remove the temporary cover and screw the reservoir onto the particle generator. See Figure 2-1.
5. Place the particle generator on the floor in a corner of the testing room. Make sure the ventilation louvers on the back and bottom of the generator are not obstructed, as this could cause the instrument to overheat.



Caution

Do **not** place the Particle Generator on the table or benchtop. Vibrations from the internal compressor may cause the generator to move across the table. If left unattended, the generator could fall on the floor resulting in damage to the instrument.

6. Plug the female end of the power cord into the receptacle on the back of the particle generator. Plug the male end into a grounded wall outlet and turn on the power to the generator. The power switch is located next to the power cord receptacle. See Figure 2-2.

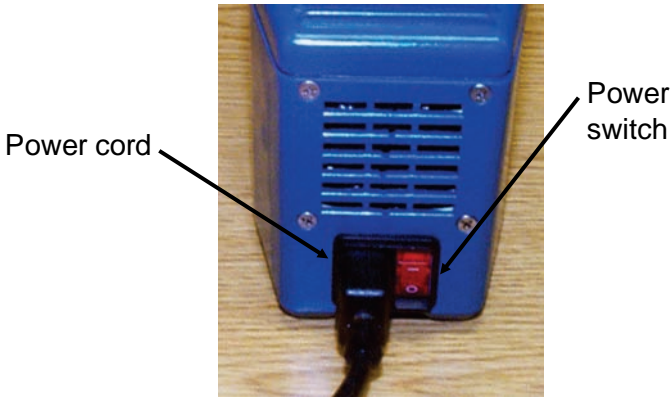


Figure 2-2

You must run the particle generator in the testing room, with the door closed, for at least 15 minutes before you begin fit testing to allow the particle count to stabilize. You must operate the generator in an upright position at all times.

One reservoir full of salt solution will last from 8 to 16 hours, depending on the generator setting. You can save and re-use the solution if you wish. However, do not mix old solution with fresh solution. If you need to mix new solution, first discard whatever remains in the reservoir.

If you wish to re-use the solution, be sure to detach the reservoir from the generator, cover it tightly with the temporary cover, and store it in its designated space inside the carrying case.



Caution

Never attempt to store the particle generator in the carrying case with a full or partially-filled reservoir attached, as the solution will leak out and damage the generator and/or carrying case.

Operating the Model 8026 Particle Generator

The Model 8026 particle generator operates without intervention once you turn on the power. However, you can adjust the output to increase particle concentration.

Adjusting the Particle Generator Output

The Model 8026 is set in the factory to a normal operating pressure. This will produce an aerosol output concentration that is appropriate for most environments. If higher counts are needed, you can increase the output by turning the output adjustment screw 1/2 turn clockwise. If necessary, you can adjust the output further by making additional turns of the output adjustment screw. See Figure 2-3.

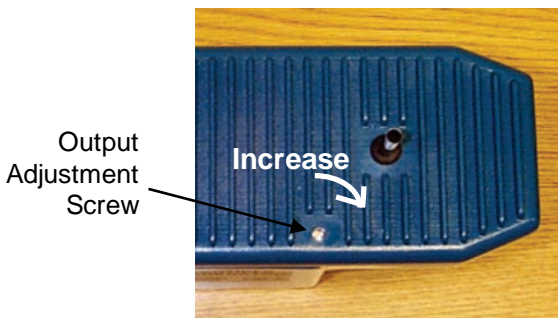


Figure 2-3

To restore the output to the factory setting, turn the screw completely clockwise to maximize the aerosol flow. Then, make three (3) complete counterclockwise turns. The screw should turn easily. Do **not** force it.

Alternate Uses for the Particle Generator

The Model 8026 Particle Generator may be used as a generalized source of poly-disperse particles in an environment. When used for other applications, the following precautions must be observed:

- The output of the generator may be directed to a specific location by attaching a short 1/4" ID tube to the output located on the top.
- The tubing must be kept as short as possible, no longer than 24". The tubing creates a pressure drop which will severely limit the generator output.
- The adjustment screw may be used to increase the generator output to the maximum to compensate for the particle loss.

Chapter 3

Maintenance

Routine Maintenance

The Model 8026 Particle Generator requires very little maintenance. Cleanliness is the single most important maintenance requirement. To ensure trouble-free operation of the generator, do the following:

- Use compressed air to blow out accumulated salt from inside the generator case. Blow air into the louvers located on the back of the generator to clean salt from the cooling fan. Blow air into the bottom of the generator through the cooling louvers.



Caution

This cleaning maintenance step is critical to maintaining trouble-free operation of the generator.

- Wipe up any salt solution spills immediately.
- Periodically wipe down the outside surface of the generator using a damp cloth.
- After each use, shut off the generator, remove the salt solution reservoir, and then switch the generator back on for 40 seconds. This will purge salt solution from the unit and reduce contamination of the carrying case.

No other routine periodic maintenance is required. If you notice a decrease in output, you may need to clean the atomizer nozzle. Follow the procedure below.

Cleaning the Atomizer Nozzle

1. Turn the particle generator off. Remove the salt solution reservoir.
2. Disassemble the atomizer jet assembly following the order indicated in Figure 3-1. The retainer that holds the parts of the jet together can be difficult to remove. If necessary, use pliers to pull down on the tab with a *gentle* rocking motion. The jet assembly incorporates one small O-ring. Set it in a safe place.

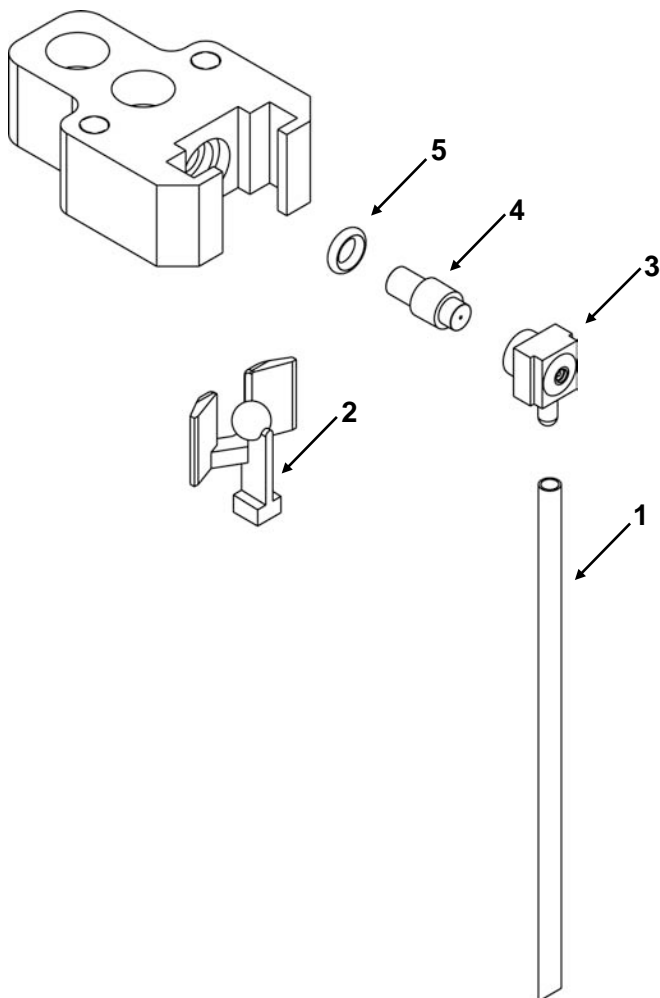


Figure 3-1

3. Use mild soap and warm water to clean the jet assembly parts. Examine the orifice for plugging. Rinse a second time if necessary. Either use clean compressed air to dry the parts, or air dry them.

Note: *The orifice is easily damaged. Do **not** insert anything in the orifice in an attempt to clean it.*

4. Reassemble and install the atomizer jet, making sure you replace the O-ring. When you replace the retainer, make sure it is pushed in completely.
5. Attach the draw tube.
6. Test the generator for proper operation (output) using tap water.

Chapter 4

Troubleshooting

This chapter describes the symptoms, possible causes and recommended solutions for common problems encountered with the Model 8026 Particle Generator.

Some common problems you may encounter include:

Symptom	Possible Cause	Corrective Action
Low particle counts	<p>The particle generator is not running.</p> <p>The salt solution is mixed incorrectly.</p> <p>The salt solution reservoir is low or empty.</p> <p>The atomizer head on the particle generator is clogged.</p> <p>The particle generator pressure is set too low.</p> <p>Salt solution may not be suitable for room.</p>	<p>Turn on the power to the particle generator.</p> <p>Refer to the mixing instructions in Chapter 2.</p> <p>Mix a new batch of solution and fill the reservoir.</p> <p>Clean the atomizer head. Refer to the maintenance procedure in the previous chapter.</p> <p>Adjust the pressure to a higher setting, as necessary. Refer to the procedure in Chapter 2.</p> <p>Add 1 or 2 additional tablets of salt to mixture. Or move particle generator closer to PORTACOUNT fit tester. Do NOT locate closer than 4 ft. from PORTACOUNT fit tester.</p>
Low particle counts (cont.)	<p>The testing room is inappropriate.</p> <ul style="list-style-type: none">• It is too large• It is not a closed room• It has too high an air exchange rate	<p>If the room is too large or not closed, select another location. If the air exchange rate is too high, increase the output of the particle generator.</p>
No aerosol output	<p>The compressor does not start when turned on. (Red light comes on okay).</p>	<p>Return the generator to TSI for servicing.</p>

(This page intentionally left blank)

Appendix A

Specifications

The Model 8026 Particle Generator specifications are as follows. Specifications are subject to change without notice.

Size	10 in. x 4 in. x 5.25 in. (25.4 cm x 10.1 cm x 13.3 cm)
Weight	2.75 lb (1.25 kg)
Generated Particle Statistics (using 2% NaCl solution in distilled water)	
Count median diameter (CMD)	0.04 micrometers (nominal)
Geometric standard deviation (GSD).....	2.2 (nominal)
Operating Voltage	115 or 230 VAC (check label on unit)
Warranty	One year on workmanship and materials



UNDERSTANDING, ACCELERATED

TSI Incorporated – Visit our website www.tsi.com for more information.

USA Tel: +1 800 874 2811
UK Tel: +44 149 4 459200
France Tel: +33 4 91 11 87 64
Germany Tel: +49 241 523030

India Tel: +91 80 67877200
China Tel: +86 10 8251 6588
Singapore Tel: +65 6595 6388