

# Airflow Horns

## **Models AM-100, AM-300, AM-600 and AM-1200**

*TSI Airflow Horns are ideal for measuring flow in tight spots, especially in light commercial and residential applications. When used with TSI's VELOCICALC® Plus Air Velocity Meters, the flow rate is calculated automatically. Sturdy, lightweight fiberglass construction makes these Airflow Horns readily transportable and easy to use. Built-in probe supports with snap-in-place design ensure reliable measurements every time.*



### **Applications**

- Residential supply or return registers
- Tight areas or narrow hallways with registers
- Small, low-flow registers
- Twist diffusers

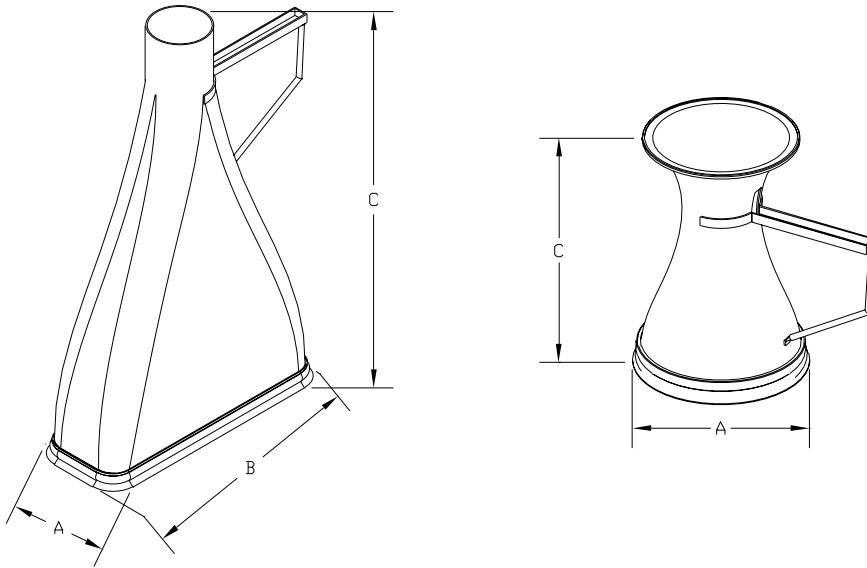
### **Features and Benefits**

- Preprogrammed VELOCICALC Plus calculates flow automatically
- Strong fiberglass construction makes the horn lightweight and durable
- Probe support locks probe into correct position
- Fixed probe placement means high repeatability
- Probe support accepts multiple probe types and diameters
- Horns available in supply or return versions
- Small size is ideal for residential and tight-area measurements
- Attached handle is easy to transport and hold in place
- Rubber gasket gives a tight seal for measurements
- Aerodynamic contour ensures flow measurement accuracy



## Recommended Flow Ranges

| Model Number | Flow Direction | ft <sup>3</sup> /min          | l/s           | m <sup>3</sup> /h           |
|--------------|----------------|-------------------------------|---------------|-----------------------------|
| AM-100       | Supply         | 3 to 175 ft <sup>3</sup> /min | 1.5 to 82 l/s | 5 to 300 m <sup>3</sup> /h  |
| AM-300       | Exhaust        | 3 to 140 ft <sup>3</sup> /min | 1.5 to 66 l/s | 5 to 240 m <sup>3</sup> /h  |
| AM-600       | Exhaust        | 6 to 140 ft <sup>3</sup> /min | 3.0 to 66 l/s | 10 to 240 m <sup>3</sup> /h |
| AM-1200      | Supply         | 9 to 175 ft <sup>3</sup> /min | 4.5 to 82 l/s | 15 to 300 m <sup>3</sup> /h |



## Weights and Dimensions

| Model Number | Dimension A                                 | Dimension B       | Dimension C                                 | Weight                |
|--------------|---|-------------------|---|-----------------------|
| AM-100       | 4 <sup>7</sup> / <sub>8</sub> in. (124 mm)  | 12.5 in. (318 mm) | 24 <sup>3</sup> / <sub>4</sub> in. (630 mm) | 2 lb, 12 oz (1.25 kg) |
| AM-300       | 7 <sup>1</sup> / <sub>2</sub> in. (190 mm)  | ————              | 13 <sup>1</sup> / <sub>4</sub> in. (337 mm) | 1 lb, 6 oz (.63 kg)   |
| AM-600       | 11 <sup>1</sup> / <sub>2</sub> in. (290 mm) | ————              | 18 in. (460 mm)                             | 2 lb, 10 oz (1.20 kg) |
| AM-1200      | 8 <sup>1</sup> / <sub>2</sub> in. (216 mm)  | 24 in. (610 mm)   | 21 <sup>3</sup> / <sub>4</sub> in. (552 mm) | 6 lb, 1 oz (2.80 kg)  |

Specifications subject to change without notice.



### TSI Incorporated

500 Cardigan Road  
 Shoreview, MN 55126 USA  
 Telephone: 800 777 8356  
 651 490 2711  
 Fax: 651 490 2874  
 E-mail: emco@tsi.com  
 Website: www.tsi.com

### Europe:

TSI AB:  
 Telephone: 46 18 527000